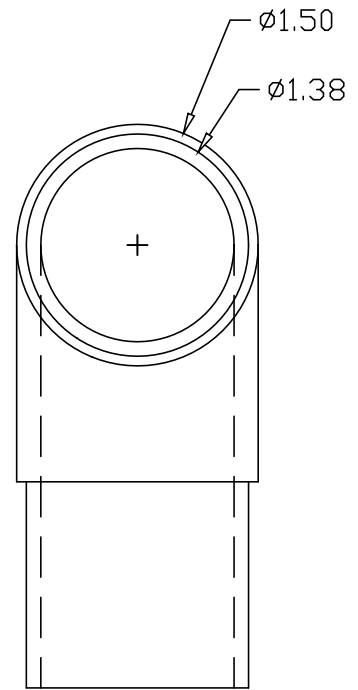
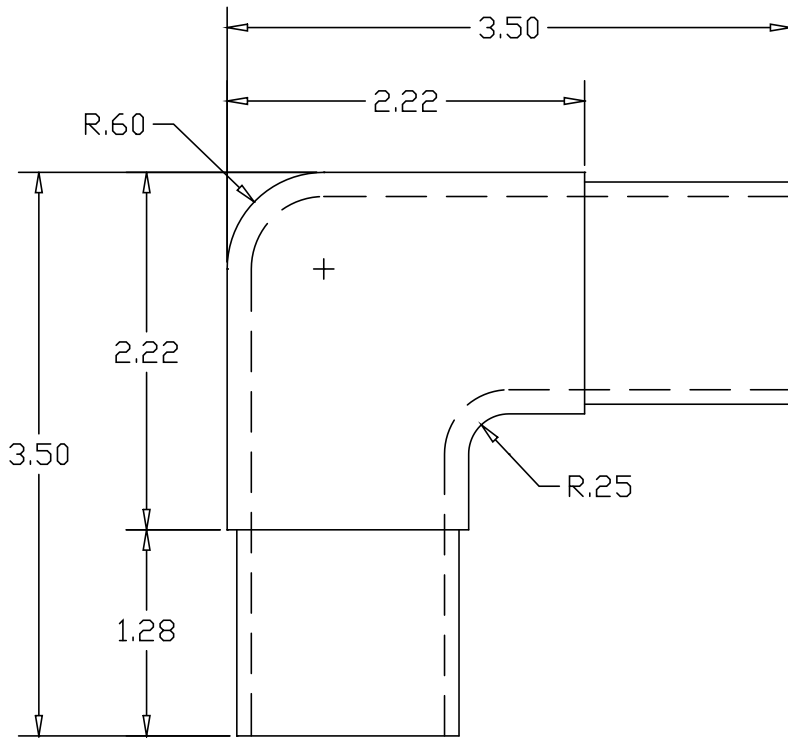



REV
SH
151519
DWG NO

REVISIONS			
REV	DESCRIPTION	DATE	APPROVED



PART NAME 1.50" OD .065W 90° FLUSH STAINLESS STEEL ELBOW			
MATERIAL CAST STAINLESS STEEL			
DATE 7/15/02		THE WAGNER COMPANIES R & B WAGNER, INC. AND J. G. BRAUN CO.	
DRAWN BY RJF			
FINISH #8 MIRROR	SIZE A	WEIGHT .7 LBS	PART NUMBER 151519
			REV