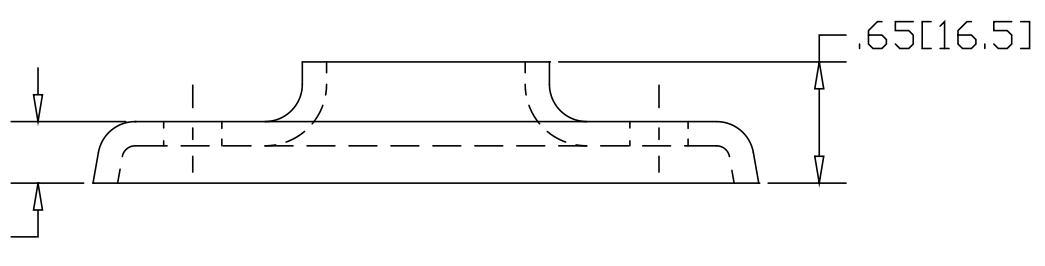
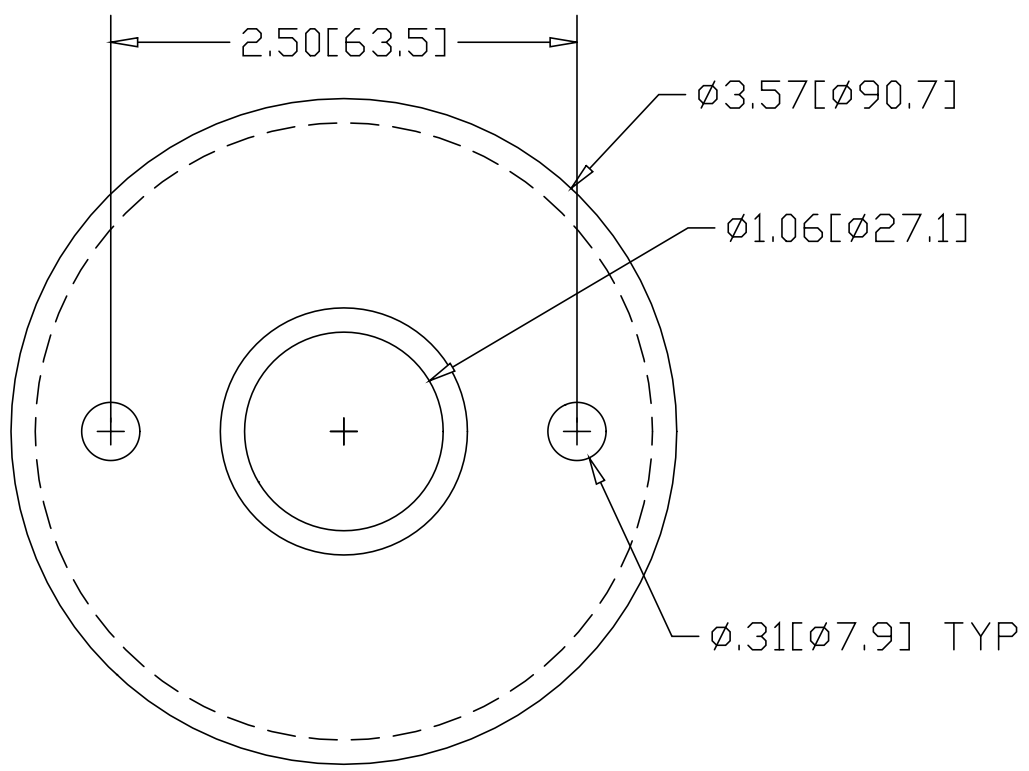


REV
SH
1411
DWG NO

REVISIONS			
REV	DESCRIPTION	DATE	APPROVED



INCHES [MILLIMETERS]

*USE WITH ANCHOR PLATE
 #B1416 IN STEEL
 #PLB1416 ZINC PLATED STEEL
 #B1516 IN STAINLESS STEEL

ALTERNATE MATERIAL	PART NUMBER
.125 (3003) ALUMINUM ASTM B209	1451
10 GA. (304) STAINLESS STEEL ASTM A240	1511

PART NAME				3/4" PIPE HEAVY BASE FLANGE W/(2) HOLES	
MATERIAL				10 GA. HRP&D STEEL ASTM A569	
DATE	9/13/94				
DRAWN BY	RJF				
FINISH	MILL				
SIZE	A	WEIGHT	.41 LBS	PART NUMBER	1411
				REV	