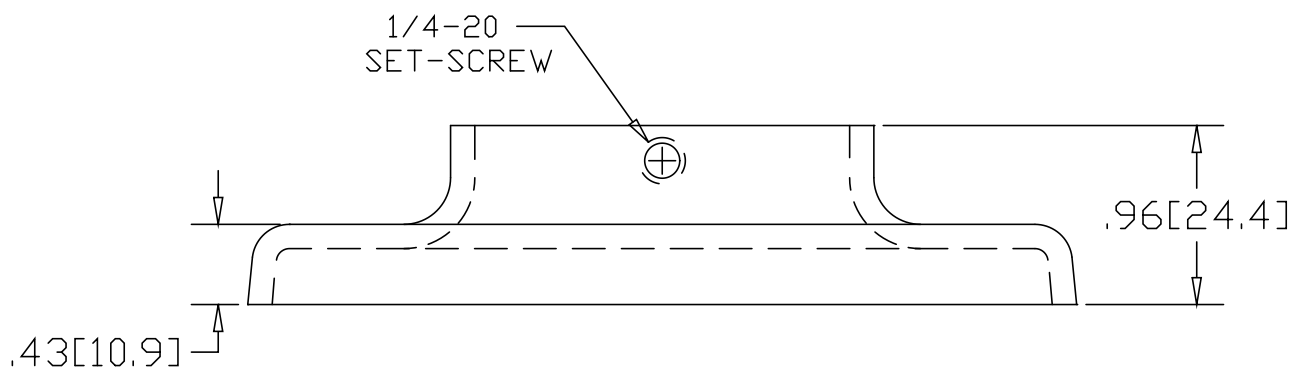
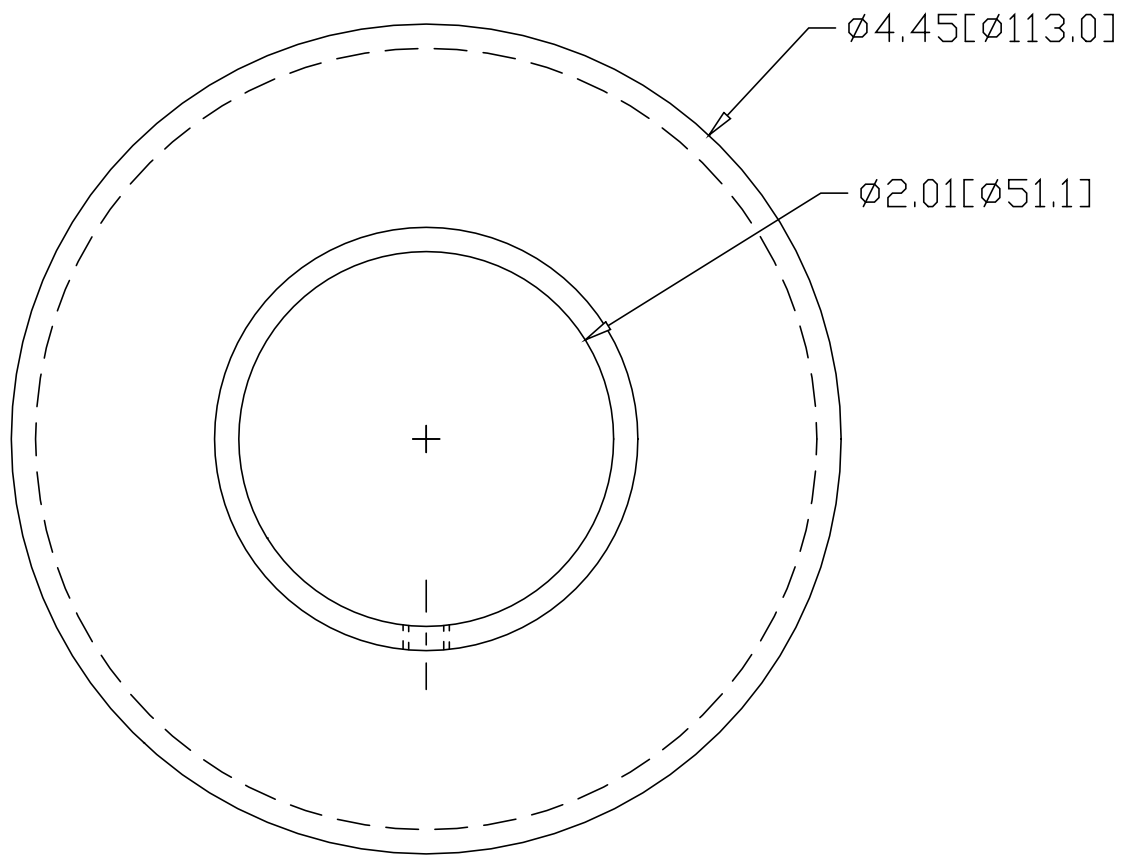



REV
SH
1445T
DWG NO

REVISIONS			
REV	DESCRIPTION	DATE	APPROVED



INCHES [MILLIMETERS]

ALTERNATE MATERIAL		PART NUMBER							
.125 (3003) ALUMINUM ASTM B209		1485T							
10 GA. (304) STAINLESS STEEL ASTM A240		1545T							
PART NAME 2.00" OD TUBE HEAVY BASE FLANGE WITH SET-SCREW									
MATERIAL 10 GA. HRP&D STEEL ASTM A569									
DATE	9/13/94	 R & B WAGNER, INC.							
DRAWN BY	RJF								
FINISH	MILL	SIZE	A	WEIGHT	.64 LBS	PART NUMBER	1445T	REV	