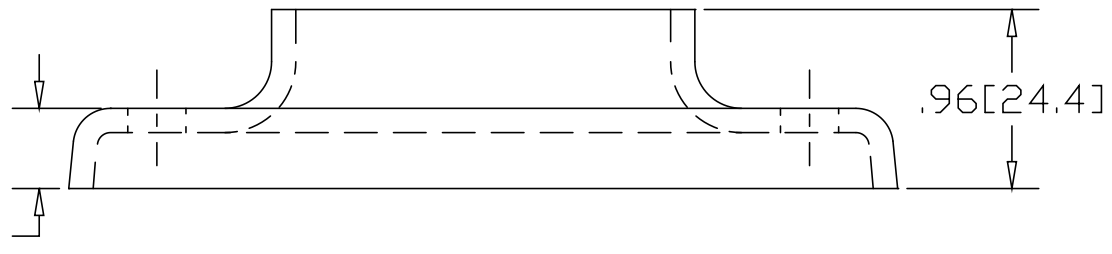
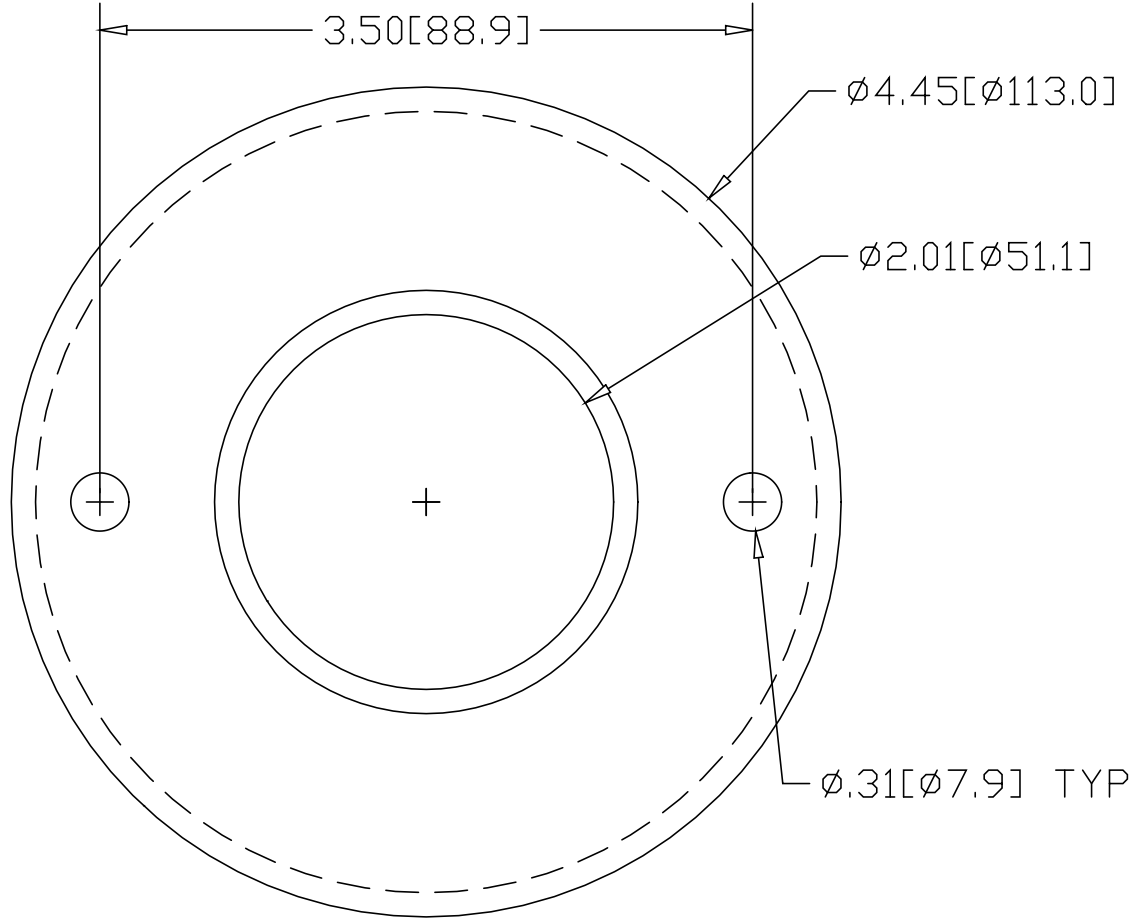



REV
SH
1443T
DWG NO

REVISIONS			
REV	DESCRIPTION	DATE	APPROVED



*USE WITH ANCHOR PLATE
#B1440 IN STEEL
#PLB1440 ZINC PLATED STEEL
#B1540 IN STAINLESS

INCHES [MILLIMETERS]

ALTERNATE MATERIAL		PART NUMBER	
.125 (3003) ALUMINUM ASTM B209		1483T	
10 GA. (304) STAINLESS STEEL ASTM A240		1543T	
PART NAME 2.00" OD TUBE HEAVY BASE FLANGE W/(2) HOLES			
MATERIAL 10 GA. HRP&D STEEL ASTM A569			
DATE 9/13/94	 R & B WAGNER, INC.		
DRAWN BY RJF			
FINISH MILL	SIZE A	WEIGHT .64 LBS	PART NUMBER 1443T
			REV