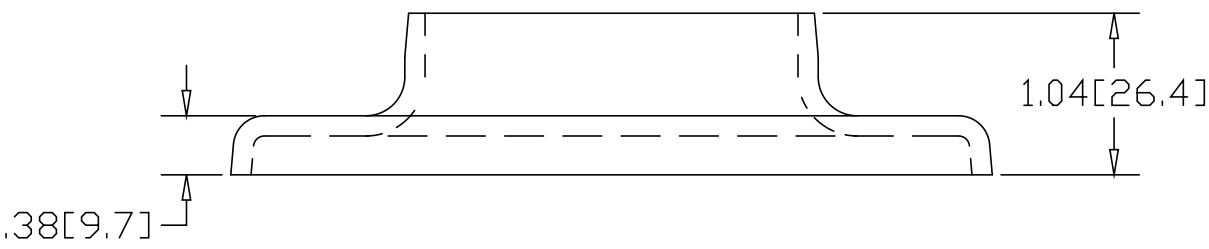
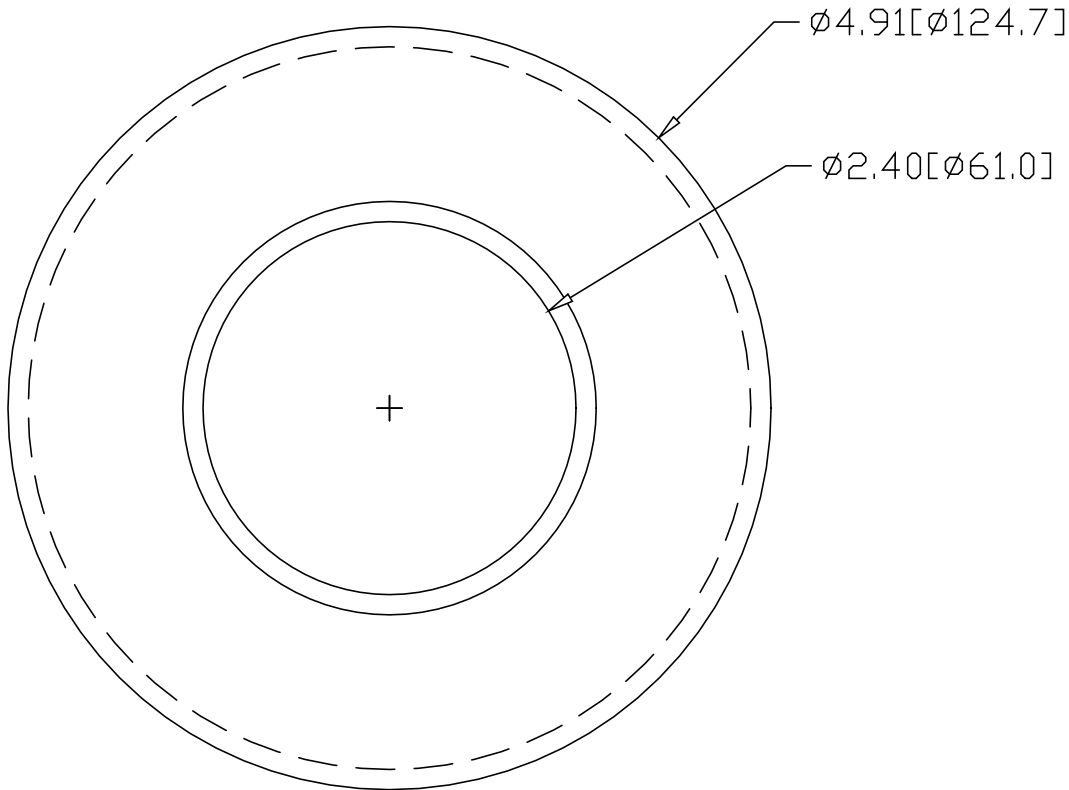



REV
SH
1442
DWG NO

REVISIONS			
REV	DESCRIPTION	DATE	APPROVED



INCHES [MILLIMETERS]

ALTERNATE MATERIAL	PART NUMBER
.125 (3003) ALUMINUM ASTM B209	1482
10 GA. (304) STAINLESS STEEL ASTM A240	1542
.125 (280) MUNTZ METAL	BZ1442

PART NAME		2" PIPE HEAVY BASE FLANGE	
MATERIAL		10 GA. HRP&D STEEL ASTM A569	
DATE	9/14/94	 R & B WAGNER, INC.	
DRAWN BY	RJF		
FINISH	MILL	SIZE	A
		WEIGHT	.72 LBS
		PART NUMBER	1442
		REV	