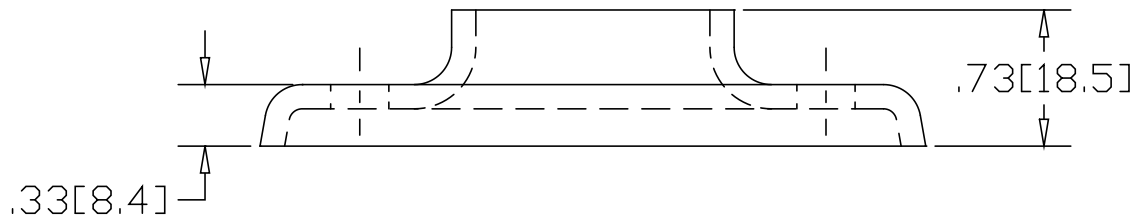
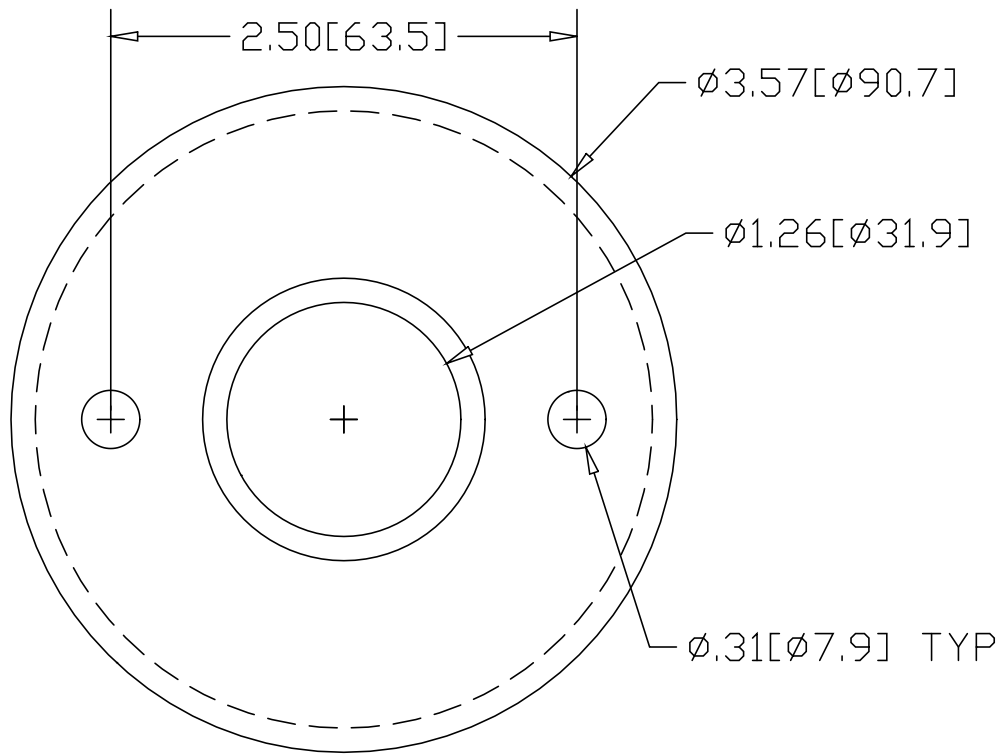


REV  
SH  
1427T  
DWG NO

REVISIONS			
REV	DESCRIPTION	DATE	APPROVED



INCHES [MILLIMETERS]

\*USE WITH ANCHOR PLATE  
#B1416 IN STEEL  
#PLB1416 ZINC PLATED STEEL  
#B1516 IN STAINLESS

ALTERNATE MATERIAL	PART NUMBER
.125 (3003) ALUMINUM ASTM B209	1467T
10 GA. (304) STAINLESS STEEL ASTM A240	1527T

PART NAME 1.25" OD TUBE HEAVY BASE FLANGE W/(2) HOLES			
MATERIAL 10 GA. HRP&D STEEL ASTM A569			
DATE 9/13/94			
DRAWN BY RJF			
FINISH MILL			
SIZE A	WEIGHT .41 LBS	PART NUMBER 1427T	REV