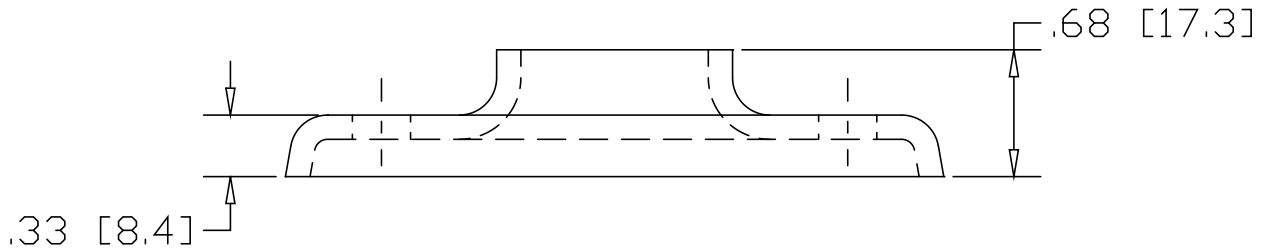
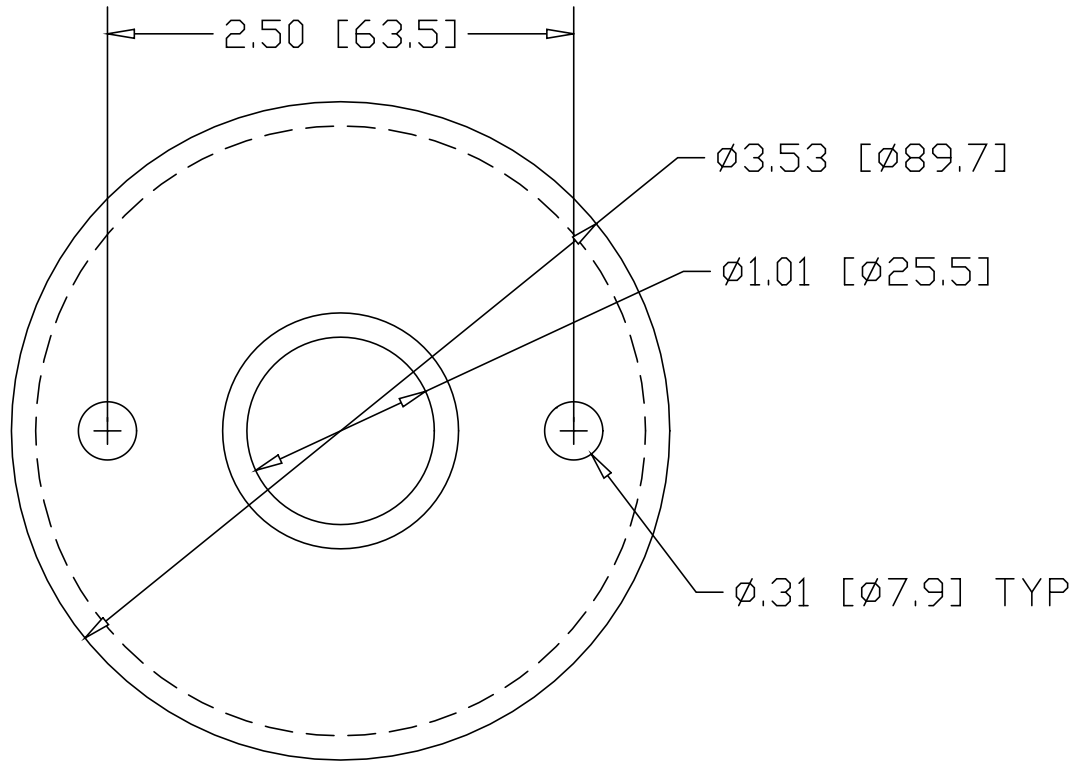



REV
SH
1419T
DWG NO

REVISIONS			
REV	DESCRIPTION	DATE	APPROVED



INCHES [MILLIMETERS]

ALTERNATE MATERIAL	PART NUMBER
.125 (3003) ALUMINUM ASTM B209	1459T
10 GA. (304) STAINLESS STEEL ASTM A240	1519T

PART NAME				1" OD TUBE HEAVY BASE FLANGE W/(2) HOLES			
MATERIAL				10 GA. HRP&D STEEL ASTM A569			
DATE		9/13/94				R & B WAGNER, INC.	
DRAWN BY		RJF					
FINISH		MILL		SIZE	WEIGHT	PART NUMBER	REV
				A	.41 LBS	1419T	