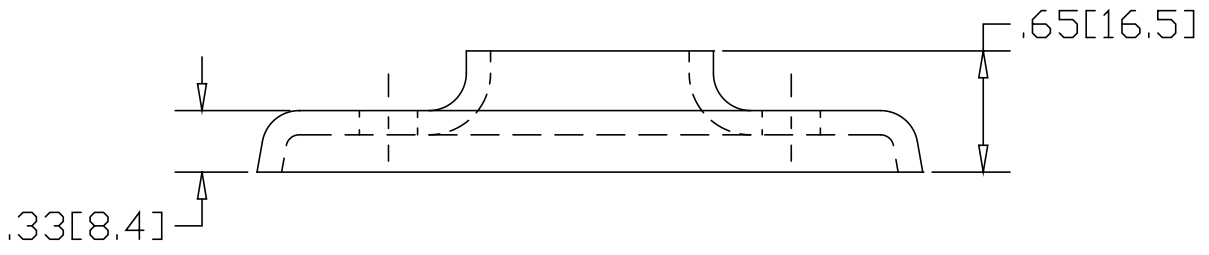
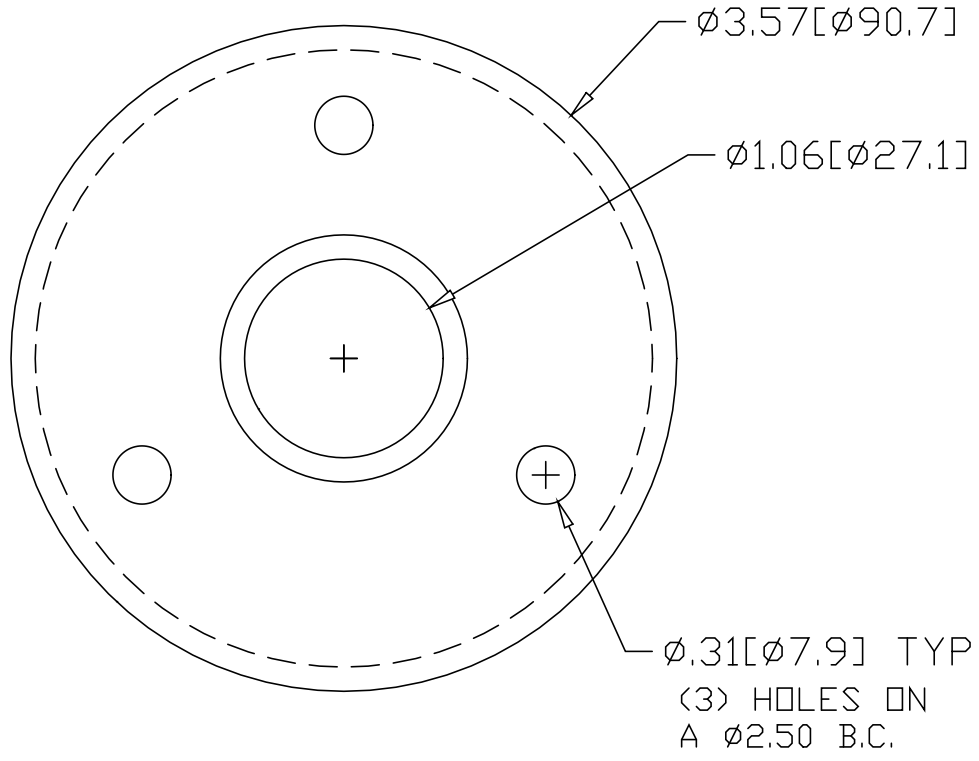


REV
SH
1411A
DWG NO


REVISIONS			
REV	DESCRIPTION	DATE	APPROVED



INCHES [MILLIMETERS]

*USE WITH ANCHOR PLATE
 #B1416 IN STEEL
 #PLB1416 ZINC PLATED STEEL
 #B1516 IN STAINLESS STEEL

ALTERNATE MATERIAL	PART NUMBER
.125 (3003) ALUMINUM ASTM B209	1451A
10 GA. (304) STAINLESS STEEL ASTM A240	1511A

PART NAME 3/4" PIPE HEAVY BASE FLANGE W/(3) HOLES			
MATERIAL 10 GA. HRP&D STEEL ASTM A569			
DATE 9/13/94	 R & B WAGNER, INC.		
DRAWN BY RJF			
FINISH MILL			
SIZE A	WEIGHT .41 LBS	PART NUMBER 1411A	REV