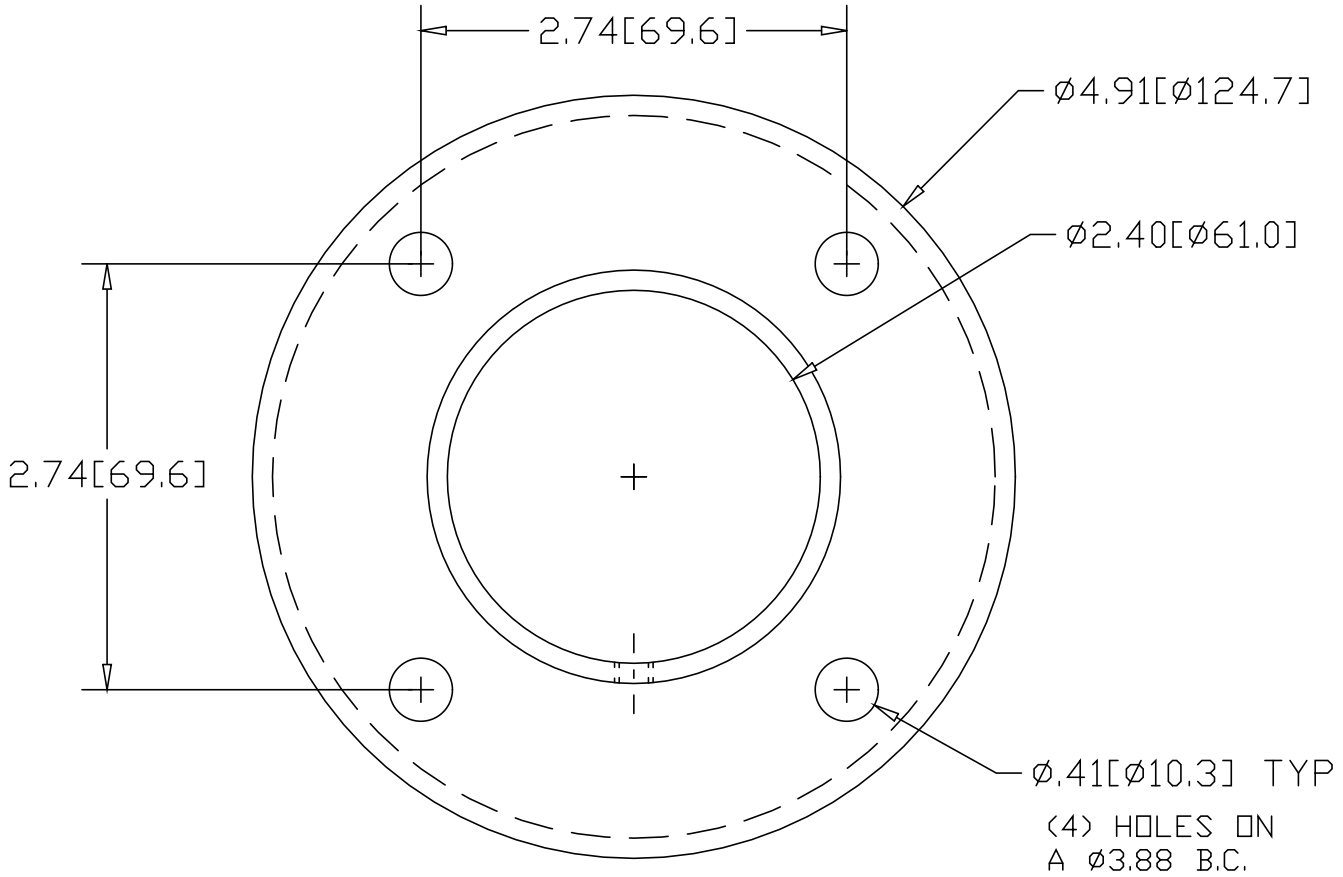
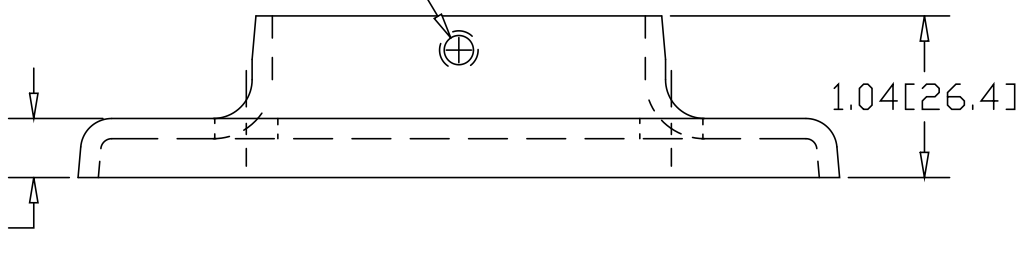


REV
SH
1447
DWG NO

REVISIONS			
REV	DESCRIPTION	DATE	APPROVED



1/4-20
SET-SCREW



INCHES [MILLIMETERS]

ALTERNATE MATERIAL	PART NUMBER
.125 (3003) ALUMINUM ASTM B209	1487
10 GA. (304) STAINLESS STEEL ASTM A240	1547

PART NAME 2" PIPE HEAVY BASE FLANGE W/(4) HOLES AND SET-SCREW				
MATERIAL 10 GA. HRP&D STEEL ASTM A569				
DATE 9/14/94				
DRAWN BY RJF				
FINISH MILL	SIZE A	WEIGHT .72 LBS	PART NUMBER 1447	REV