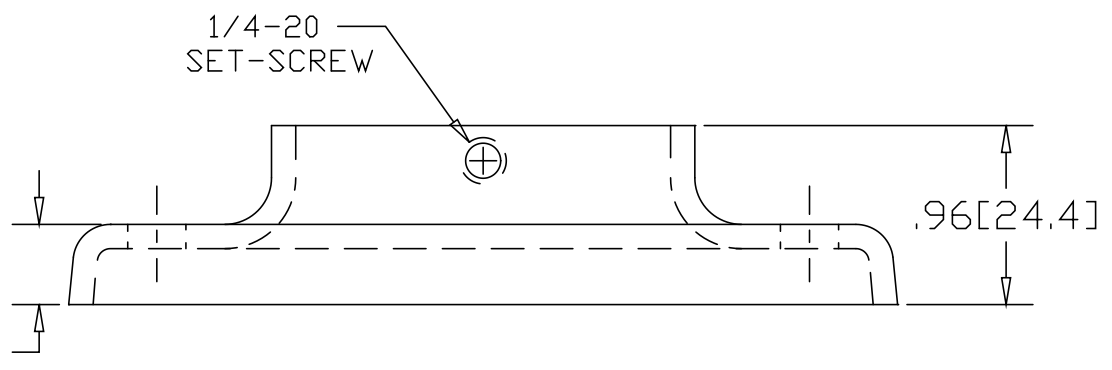
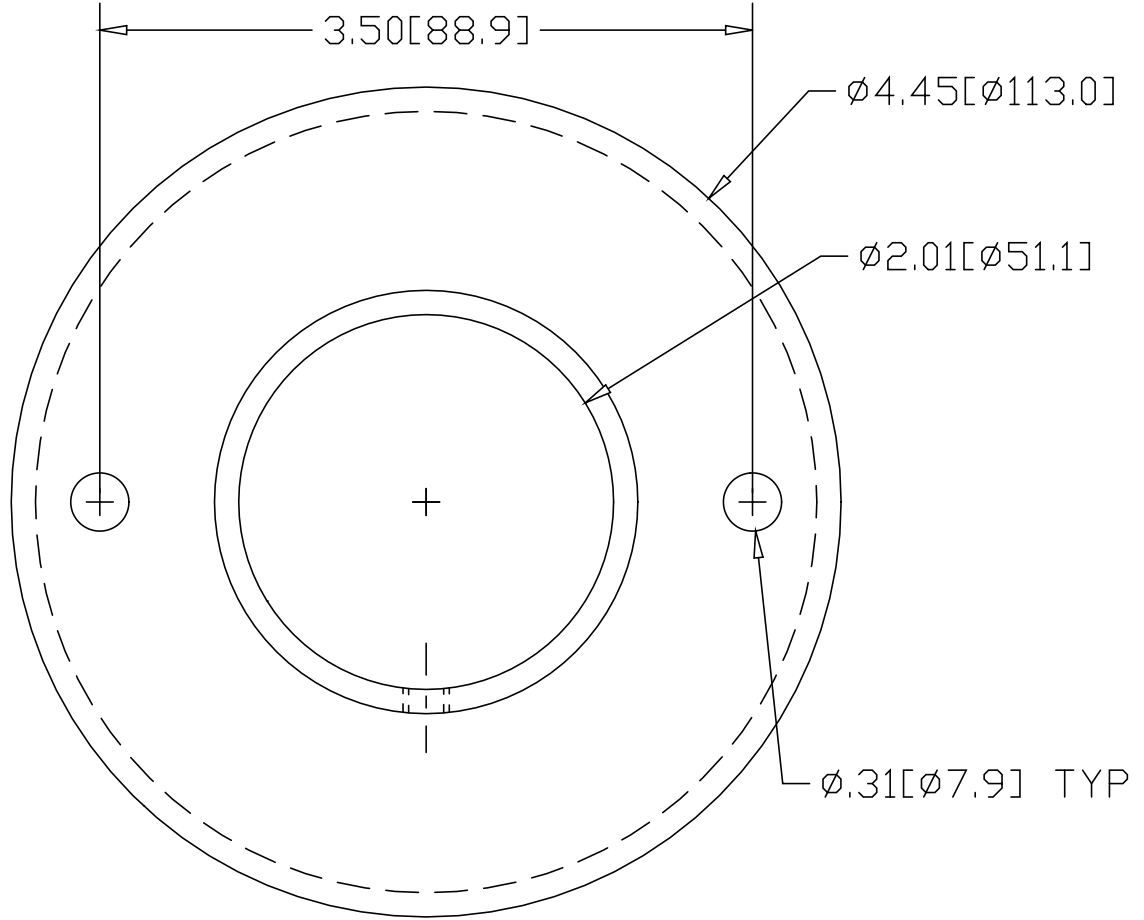


REV
SH
1446T
DWG NO

REVISIONS			
REV	DESCRIPTION	DATE	APPROVED



INCHES [MILLIMETERS]

ALTERNATE MATERIAL	PART NUMBER
.125 (3003) ALUMINUM ASTM B209	1486T
10 GA. (304) STAINLESS STEEL ASTM A240	1546T

PART NAME 2.00" OD TUBE HEAVY BASE FLANGE W/(2) HOLES & SET-SCREW			
MATERIAL 10 GA. HRP&D STEEL ASTM A569			
DATE 9/13/94	WAGNER	R & B WAGNER, INC.	
DRAWN BY RJF			
FINISH MILL	SIZE A	WEIGHT .64 LBS	PART NUMBER 1446T
			REV