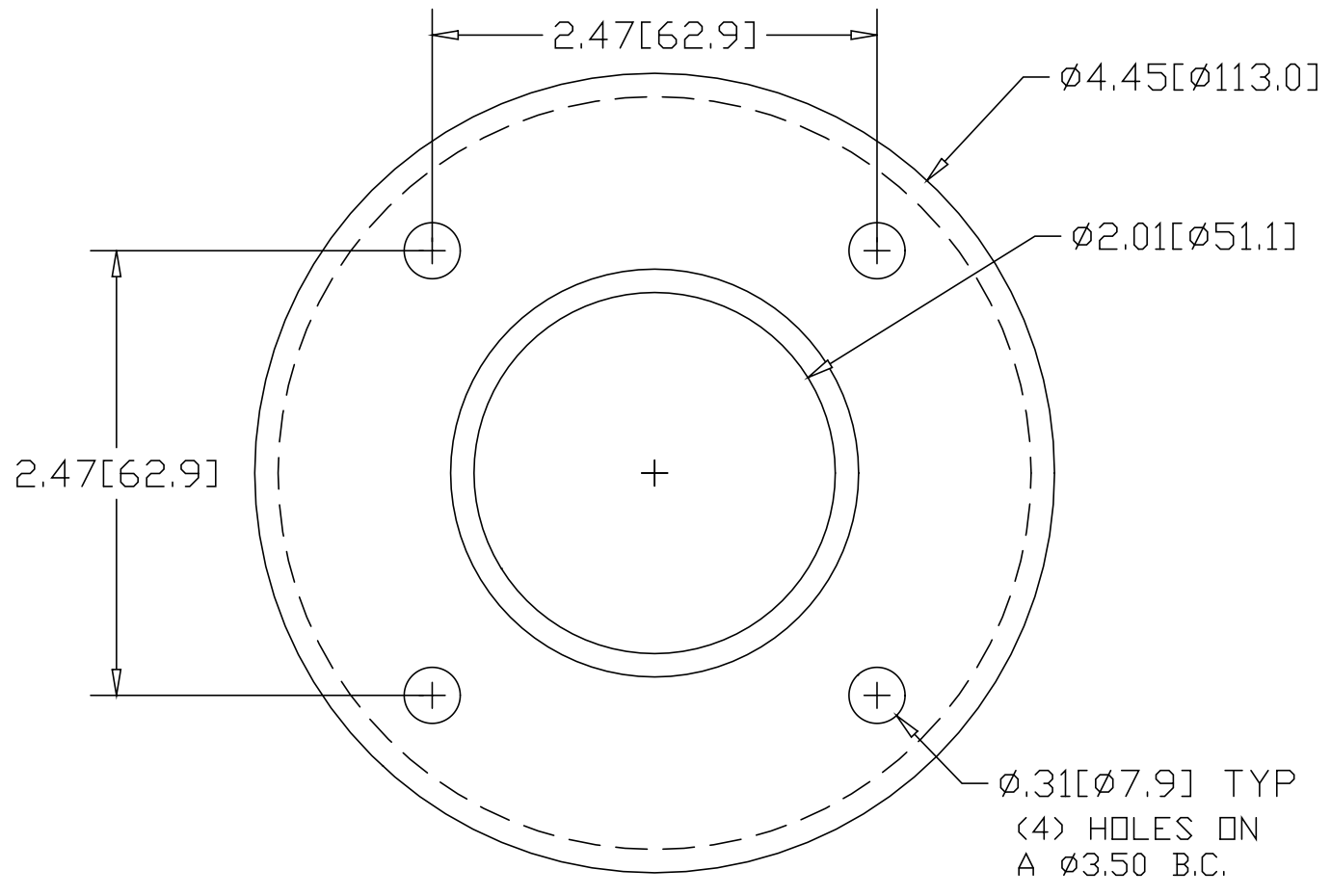
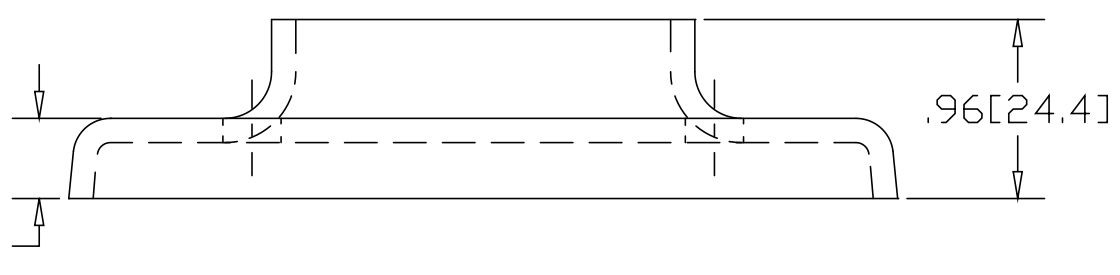


REV
SH
1444T
DWG NO

REVISIONS			
REV	DESCRIPTION	DATE	APPROVED




Ø.31[Ø7.9] TYP
(4) HOLES ON
A Ø3.50 B.C.



INCHES [MILLIMETERS]

*USE WITH ANCHOR PLATE
#B1440 IN STEEL
#PLB1440 ZINC PLATED STEEL
#B1540 IN STAINLESS

ALTERNATE MATERIAL	PART NUMBER
.125 (3003) ALUMINUM ASTM B209	1484T
10 GA. (304) STAINLESS STEEL ASTM A240	1544T

PART NAME		2.00" OD TUBE HEAVY BASE FLANGE W/(4) HOLES	
MATERIAL		10 GA. HRP&D STEEL ASTM A569	
DATE	9/13/94	 R & B WAGNER, INC.	
DRAWN BY	RJF		
FINISH	MILL	SIZE	A
		WEIGHT	.64 LBS
		PART NUMBER	1444T
		REV	