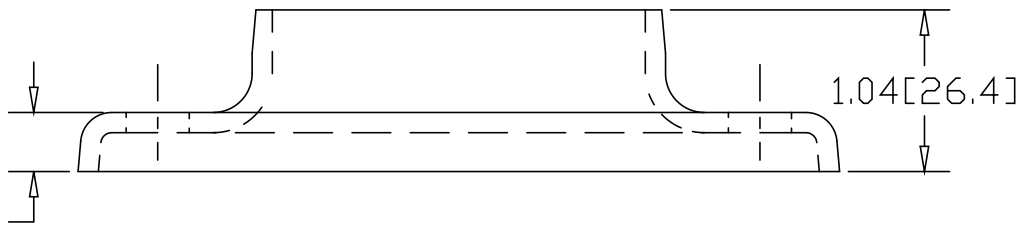
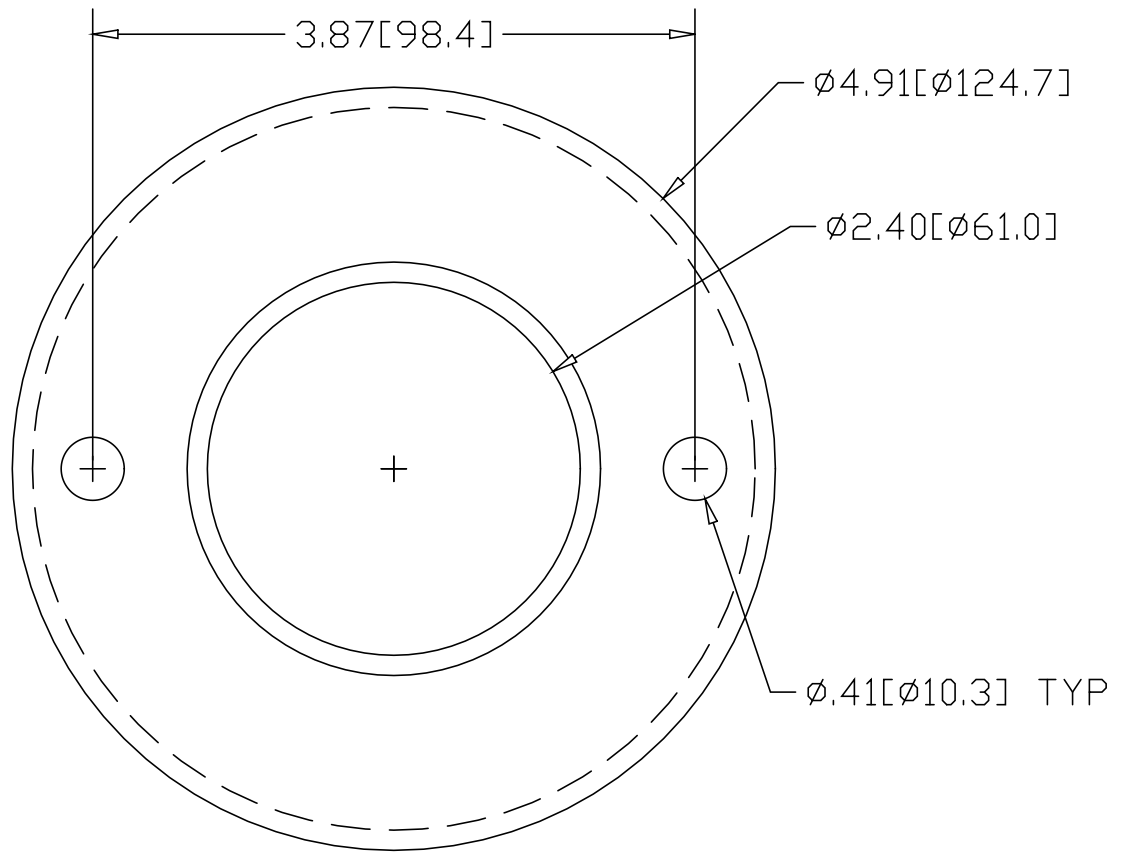


REV  
SH  
1443  
DWG NO


REVISIONS			
REV	DESCRIPTION	DATE	APPROVED



INCHES [MILLIMETERS]

\*USE WITH ANCHOR PLATE  
 #B1448 IN STEEL  
 #PLB1448 ZINC PLATED STEEL  
 #B1548 IN STAINLESS

ALTERNATE MATERIAL	PART NUMBER
.125 (3003) ALUMINUM ASTM B209	1483
10 GA. (304) STAINLESS STEEL ASTM A240	1543

PART NAME 2" PIPE HEAVY BASE FLANGE W/(2) HOLES				
MATERIAL 10 GA. HRP&D STEEL ASTM A569				
DATE 9/14/94	 <b>R &amp; B WAGNER, INC.</b>			
DRAWN BY RJF				
FINISH MILL	SIZE A	WEIGHT .72 LBS	PART NUMBER 1443	REV