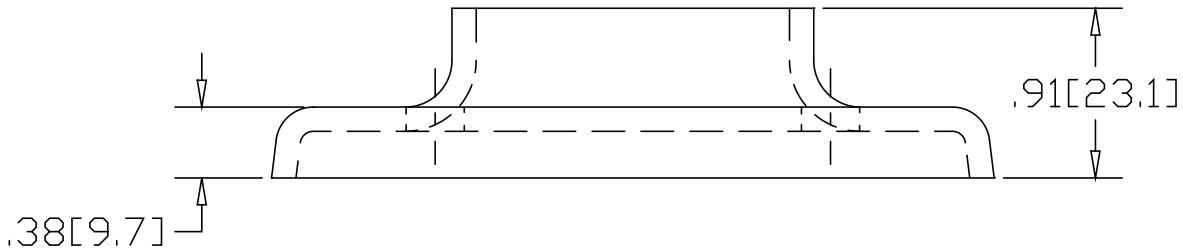
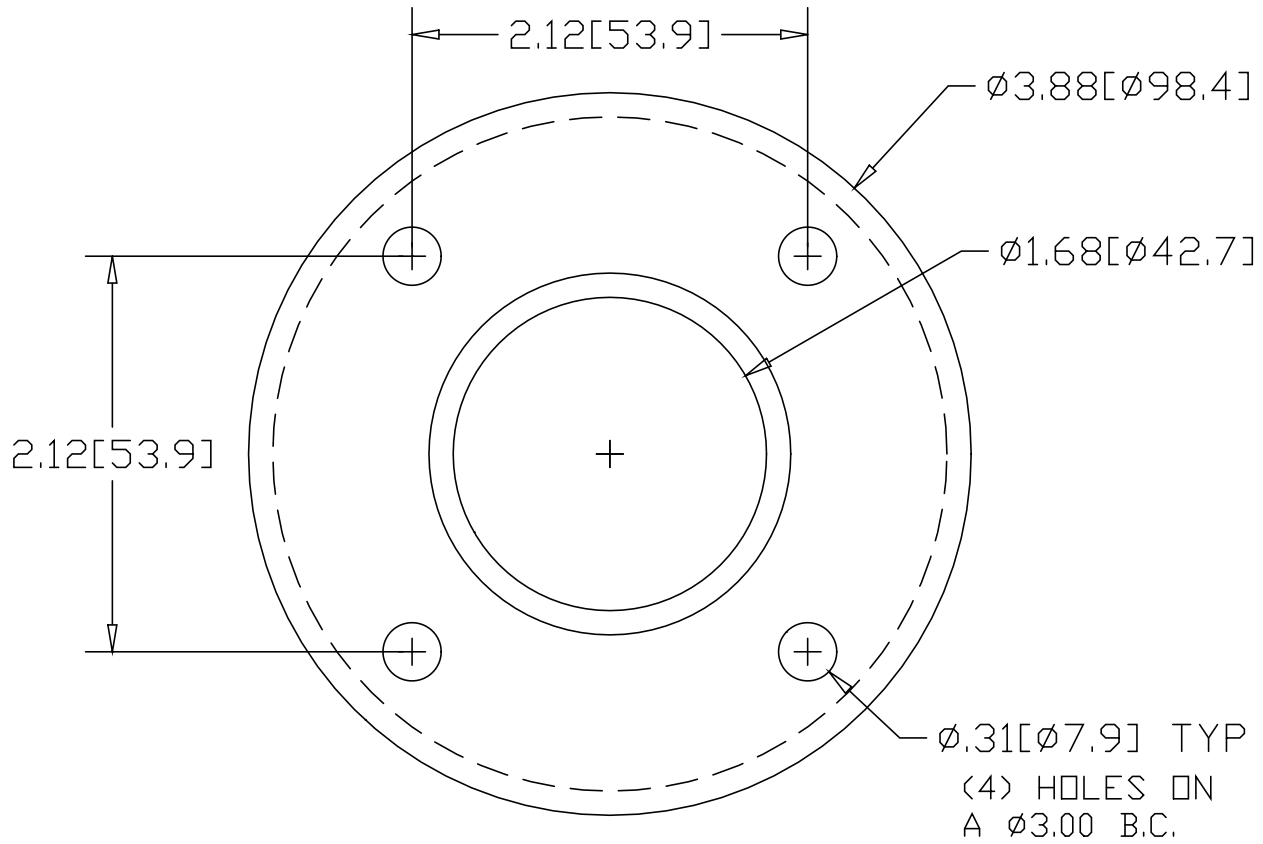


REV  
SH  
1428  
DWG NO

| REVISIONS |             |      |          |
|-----------|-------------|------|----------|
| REV       | DESCRIPTION | DATE | APPROVED |



INCHES [MILLIMETERS]

\*USE WITH ANCHOR PLATE  
 #B1432 IN STEEL  
 #PLB1432 ZINC PLATED STEEL  
 #B1532 IN STAINLESS STEEL

| ALTERNATE MATERIAL                     | PART NUMBER |
|----------------------------------------|-------------|
| .125 (3003) ALUMINUM ASTM B209         | 1468        |
| 10 GA. (304) STAINLESS STEEL ASTM A240 | 1528        |

|           |         |        |         |                                           |      |
|-----------|---------|--------|---------|-------------------------------------------|------|
| PART NAME |         |        |         | 1-1/4" PIPE HEAVY BASE FLANGE W/(4) HOLES |      |
| MATERIAL  |         |        |         | 10 GA. HRP&D STEEL ASTM A569              |      |
| DATE      | 9/13/94 |        |         |                                           |      |
| DRAWN BY  | RJF     |        |         |                                           |      |
| FINISH    | MILL    |        |         |                                           |      |
| SIZE      | A       | WEIGHT | .50 LBS | PART NUMBER                               | 1428 |
|           |         |        |         | REV                                       |      |