

REV

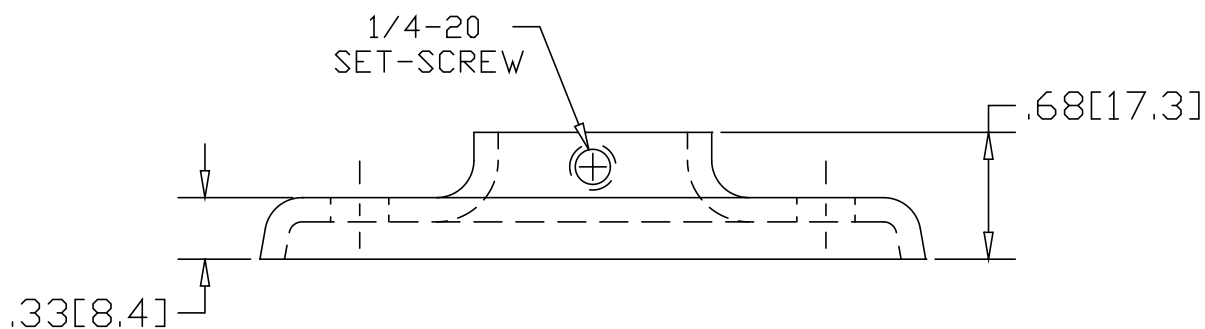
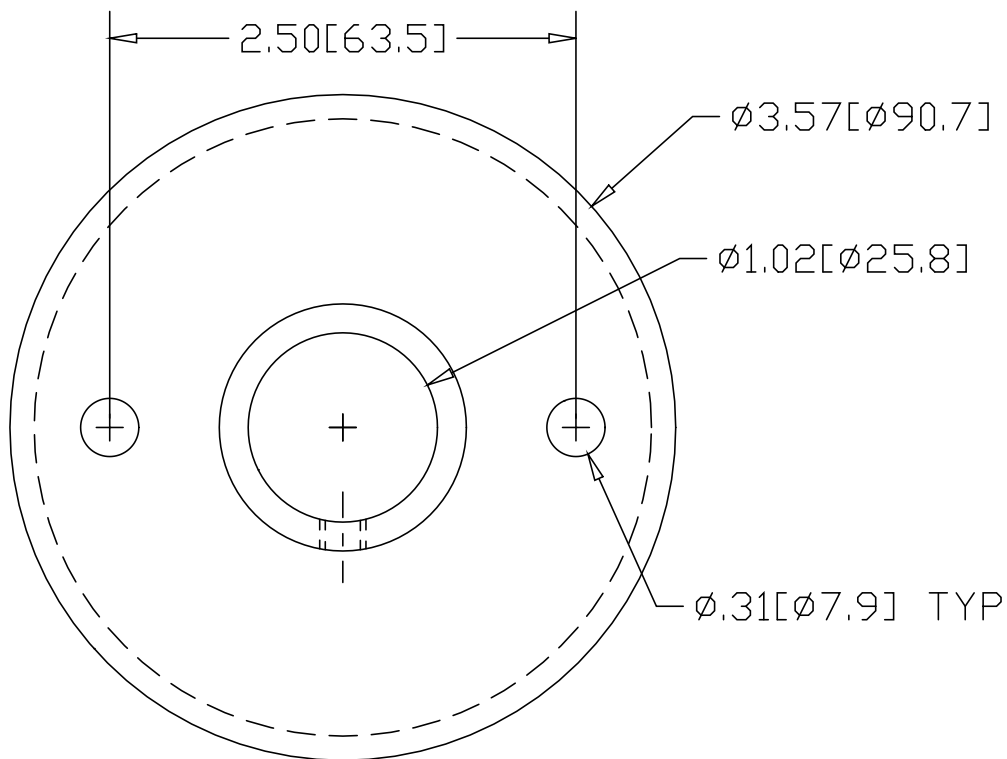
SH

1422T

DWG NO


REVISIONS

REV	DESCRIPTION	DATE	APPROVED



INCHES [MILLIMETERS]

ALTERNATE MATERIAL	PART NUMBER
.125 (3003) ALUMINUM ASTM B209	1462T
10 GA. (304) STAINLESS STEEL ASTM A240	1522T

PART NAME 1" OD TUBE HEAVY BASE FLANGE W/⟨2⟩ HOLES AND SET-SCREW				
MATERIAL 10 GA. HRP&D STEEL ASTM A569				
DATE 9/13/94	 R & B WAGNER, INC.			
DRAWN BY RJF				
FINISH MILL	SIZE A	WEIGHT .41 LBS	PART NUMBER 1422T	REV