

REV

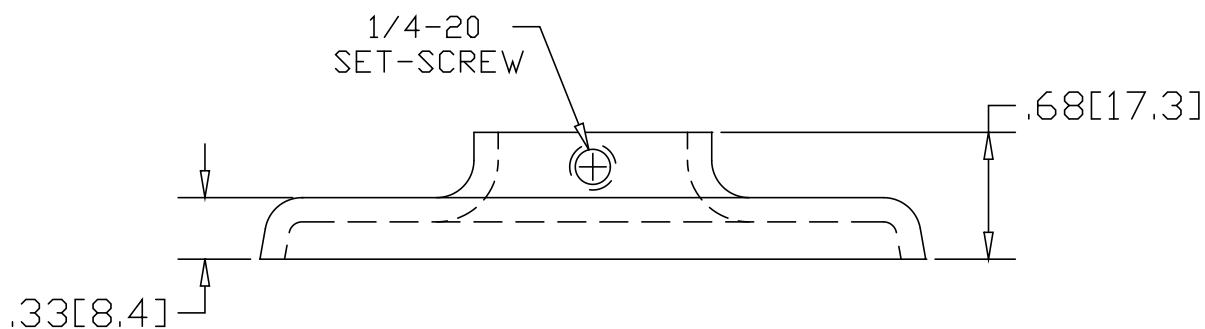
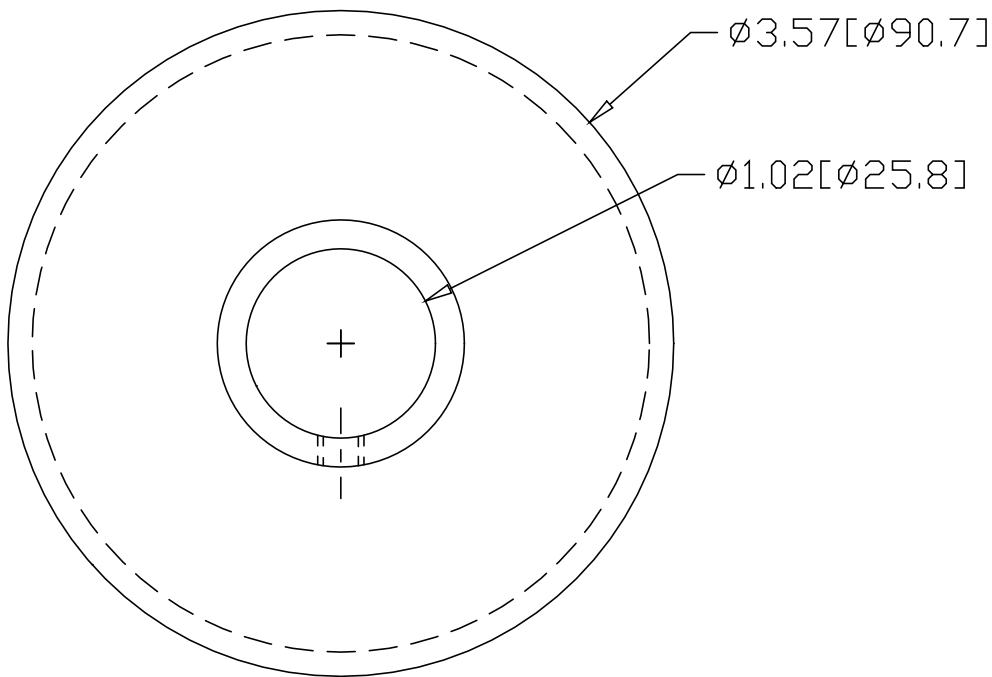
SH

1421T

DWG NO


REVISIONS

| REV | DESCRIPTION | DATE | APPROVED |
|-----|-------------|------|----------|
|-----|-------------|------|----------|



INCHES [MILLIMETERS]

| ALTERNATE MATERIAL | PART NUMBER |
|--|-------------|
| .125 (3003) ALUMINUM ASTM B209 | 1461T |
| 10 GA. (304) STAINLESS STEEL ASTM A240 | 1521T |

| | | | |
|---|---|----------------|-------------------|
| PART NAME 1" OD TUBE HEAVY BASE FLANGE WITH SET-SCREW | | | |
| MATERIAL 10 GA. HRP&D STEEL ASTM A569 | | | |
| DATE 9/13/94 |  R & B WAGNER, INC. | | |
| DRAWN BY RJF | | | |
| FINISH MILL | SIZE A | WEIGHT .41 LBS | PART NUMBER 1421T |
| | | | REV |