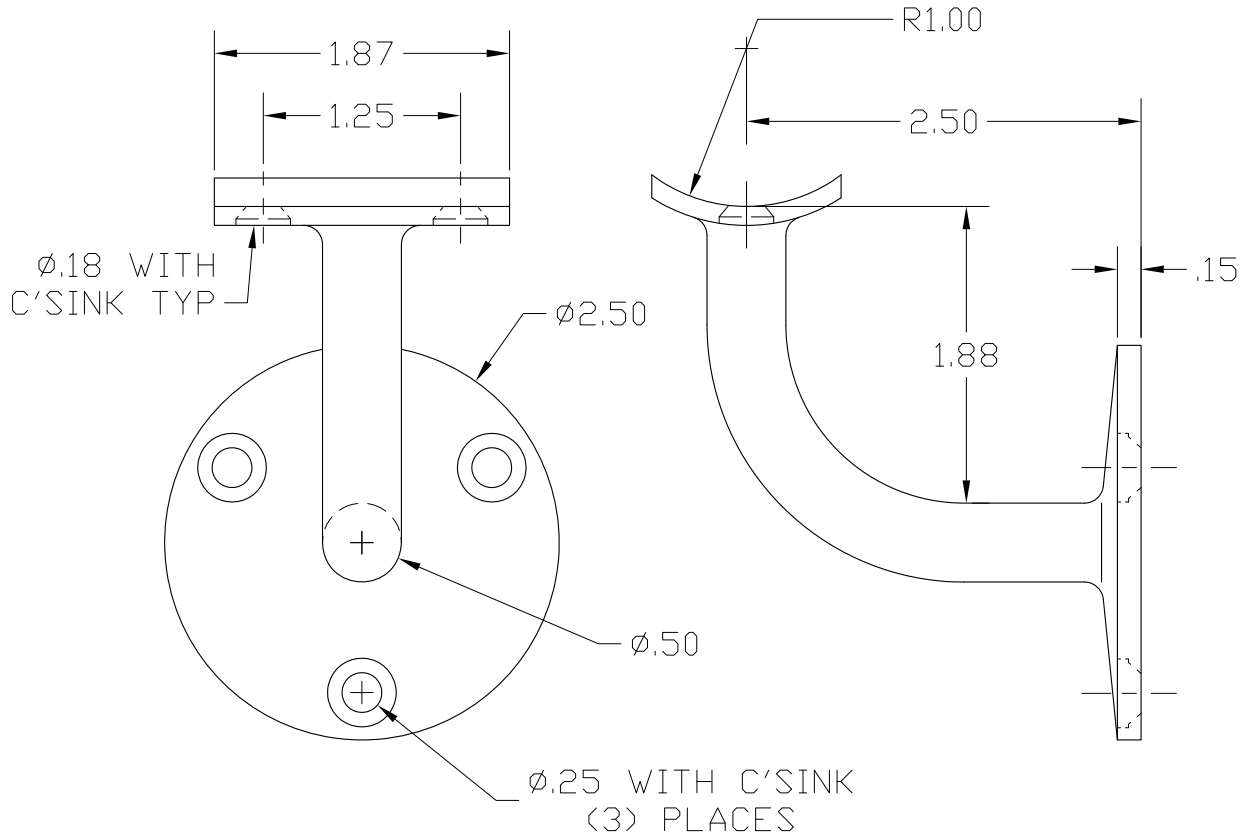



REV A  
SH  
DWG NO 142034

REVISIONS			
REV	DESCRIPTION	DATE	APPROVED
A	2.50 WAS 2.69	10/10/13	RJF



PART NAME		2.69" CL BRASS HANDRAIL BRACKET FOR 2" OD RAIL		
MATERIAL		BRASS		
DATE	8/19/02	 <b>THE WAGNER COMPANIES</b> R & B WAGNER, INC. AND J. G. BRAUN CO.		
DRAWN BY	RJF			
FINISH	POLISHED	SIZE	WEIGHT	PART NUMBER
		A	.52 LBS	142034
				REV A