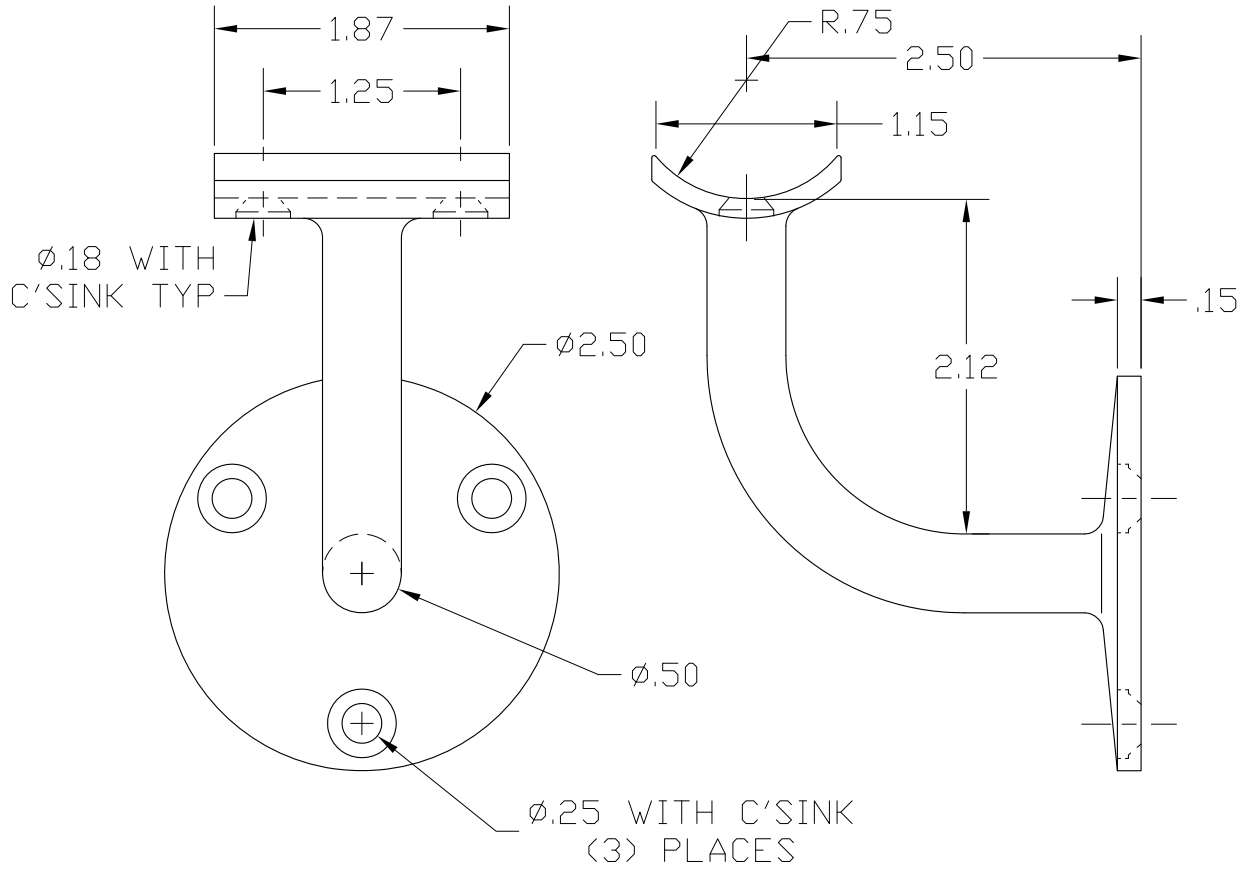



REV A  
SH  
141534  
DWG NO

REVISIONS			
REV	DESCRIPTION	DATE	APPROVED
A	2.50 WAS 2.69	10/10/13	RJF



PART NAME 2.69" CL BRASS HANDRAIL BRACKET FOR 1.50" OD RAIL			
MATERIAL BRASS			
DATE 8/19/02		 <b>THE WAGNER COMPANIES</b> R & B WAGNER, INC. AND J. G. BRAUN CO.	
DRAWN BY RJF			
FINISH POLISHED		SIZE A	WEIGHT .52 LBS
		PART NUMBER 141534	REV A