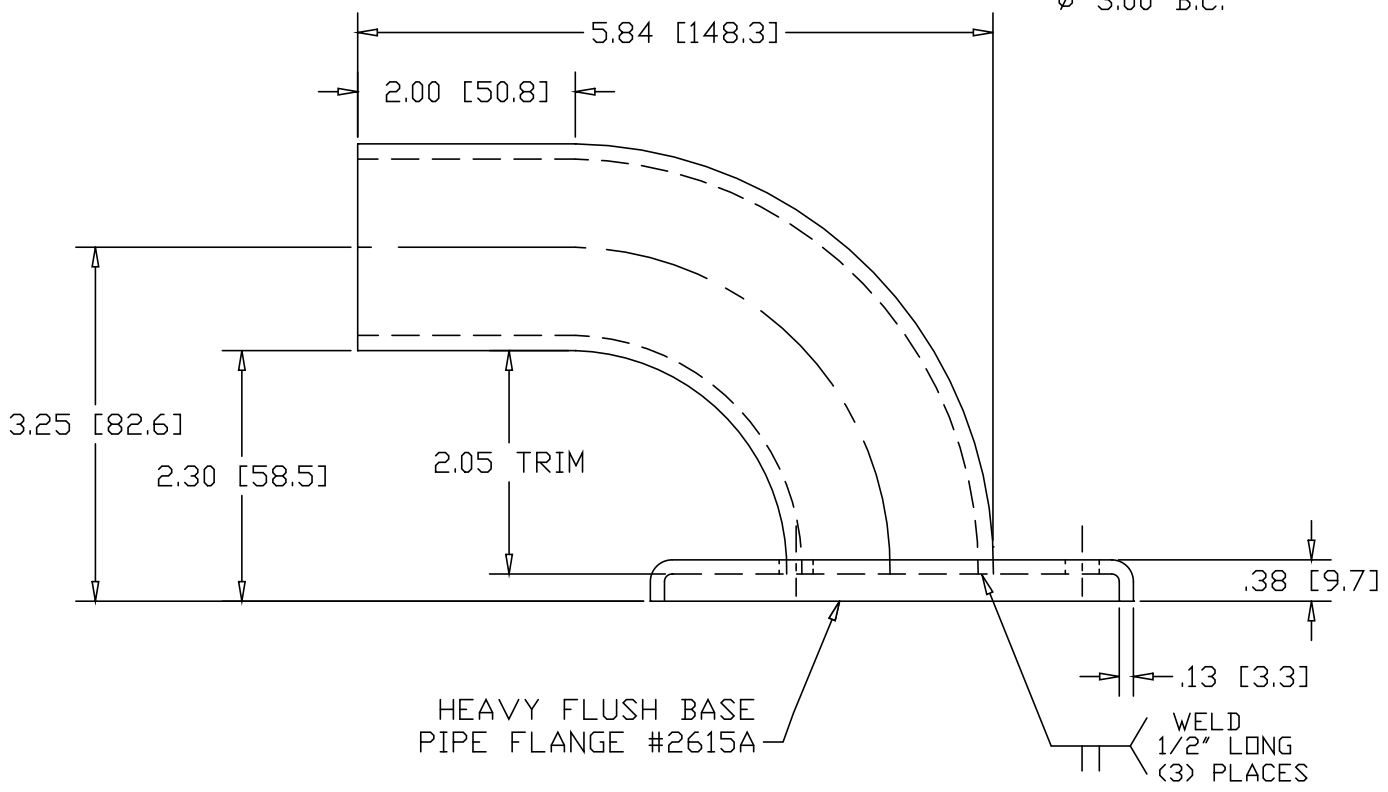
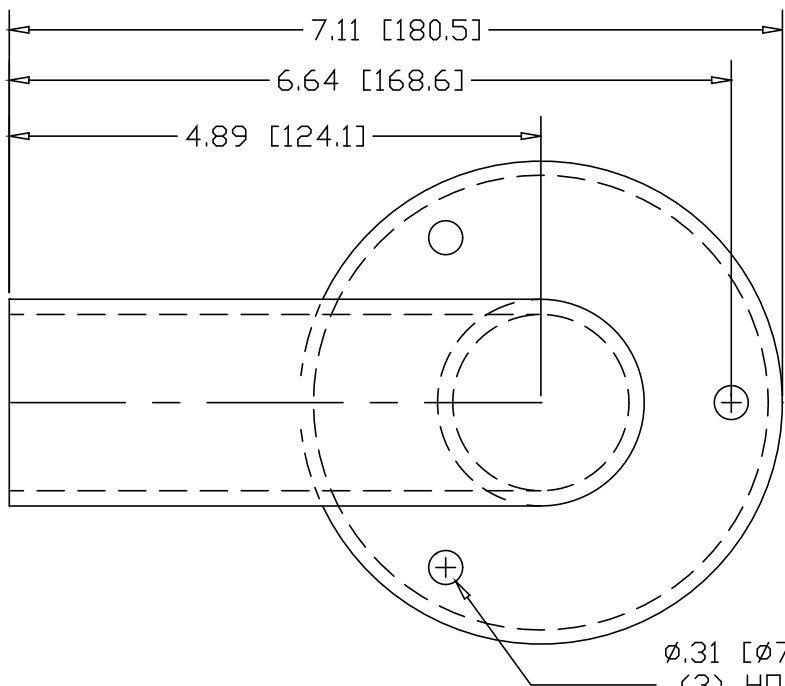


REV
SH
1166-3
DWG NO

REVISIONS			
REV	DESCRIPTION	DATE	APPROVED



PART NAME 1-1/2" PIPE SIZE X 3.25"CL WALL RETURN W/3 HOLES			
MATERIAL STAINLESS STEEL ASTM-A312			
DATE	1/10/07		THE WAGNER COMPANIES R & B WAGNER, INC. AND J. G. BRAUN CO.
DRAWN BY	RDC		
FINISH	#4 SATIN		
SIZE	A	WEIGHT	PART NUMBER 1166-3
			REV