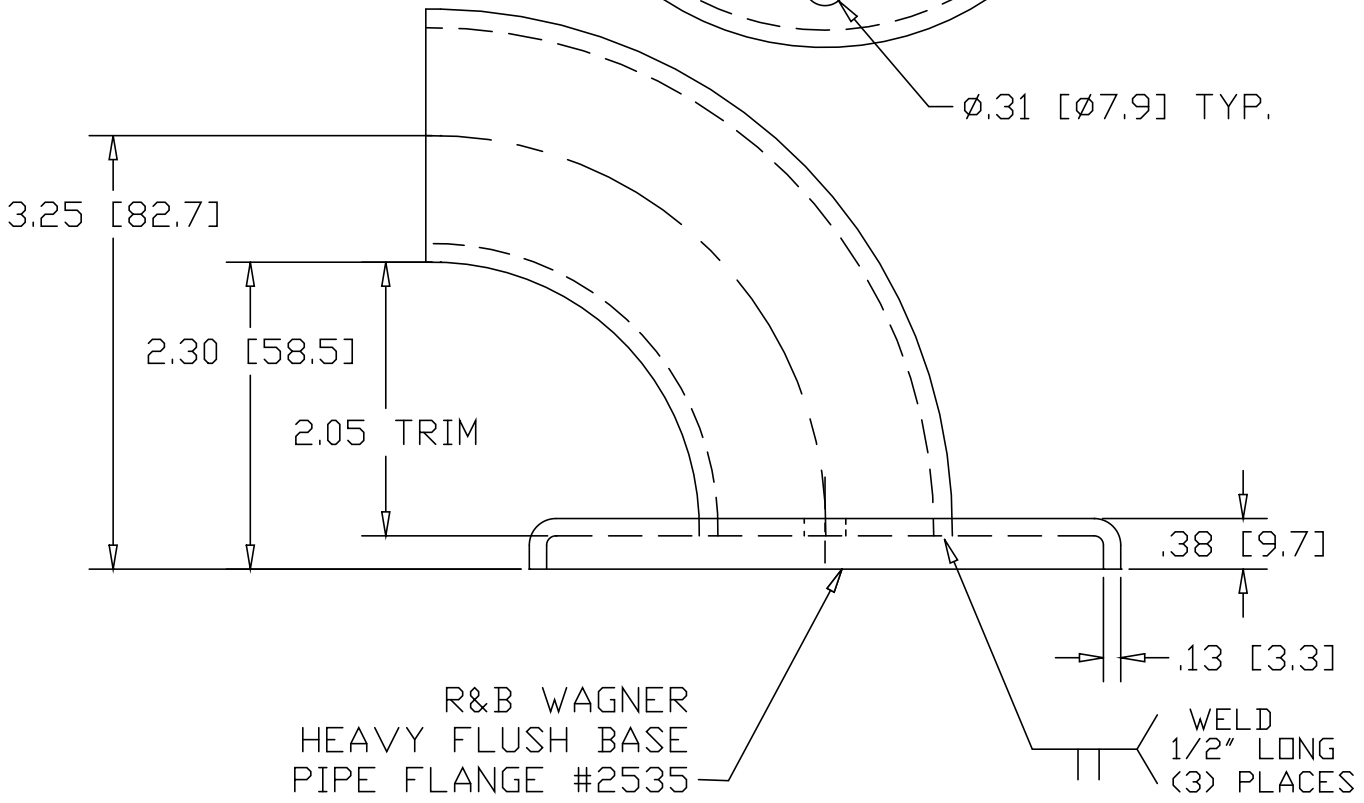
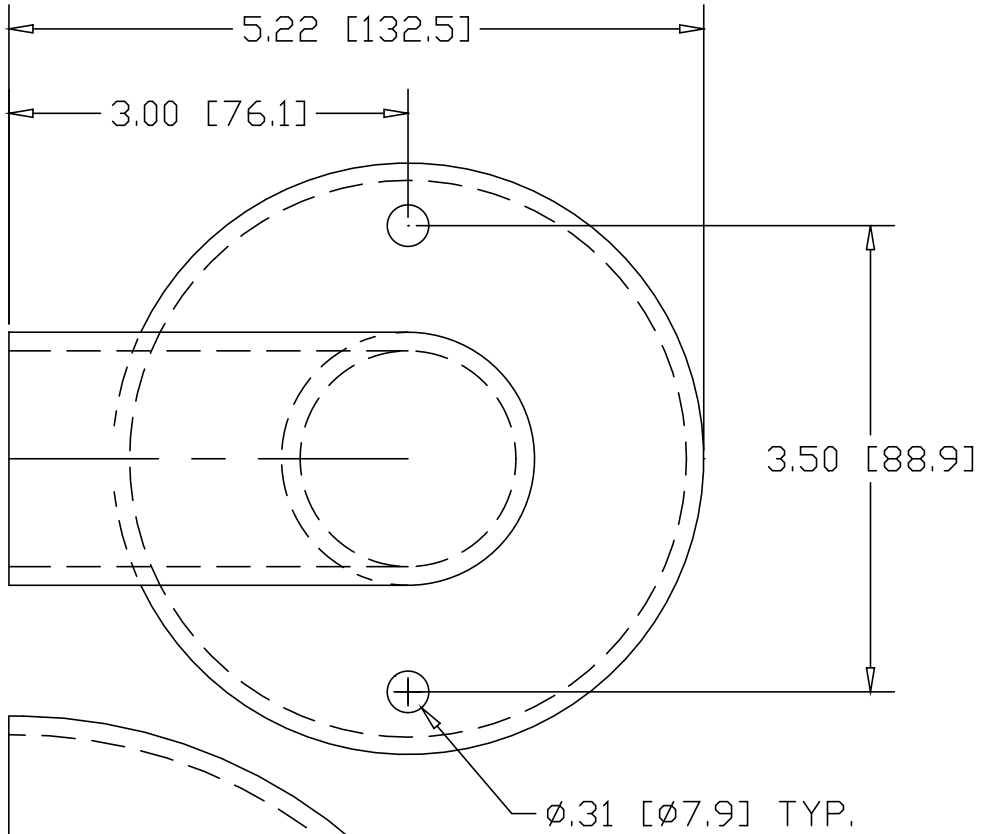


REV  
SH  
1164-2  
DWG NO

REVISIONS			
REV	DESCRIPTION	DATE	APPROVED



INCHES [MILLIMETERS]

PART NAME 1-1/2" PIPE SIZE 3.25CL WALL RETURN W/2 HOLES			
MATERIAL STEEL - ASTM A569			
DATE 1/10/07		<b>THE WAGNER COMPANIES</b> R & B WAGNER, INC. AND J. G. BRAUN CO.	
DRAWN BY RDC			
FINISH MILL			
SIZE A	WEIGHT	PART NUMBER 1164-2	REV