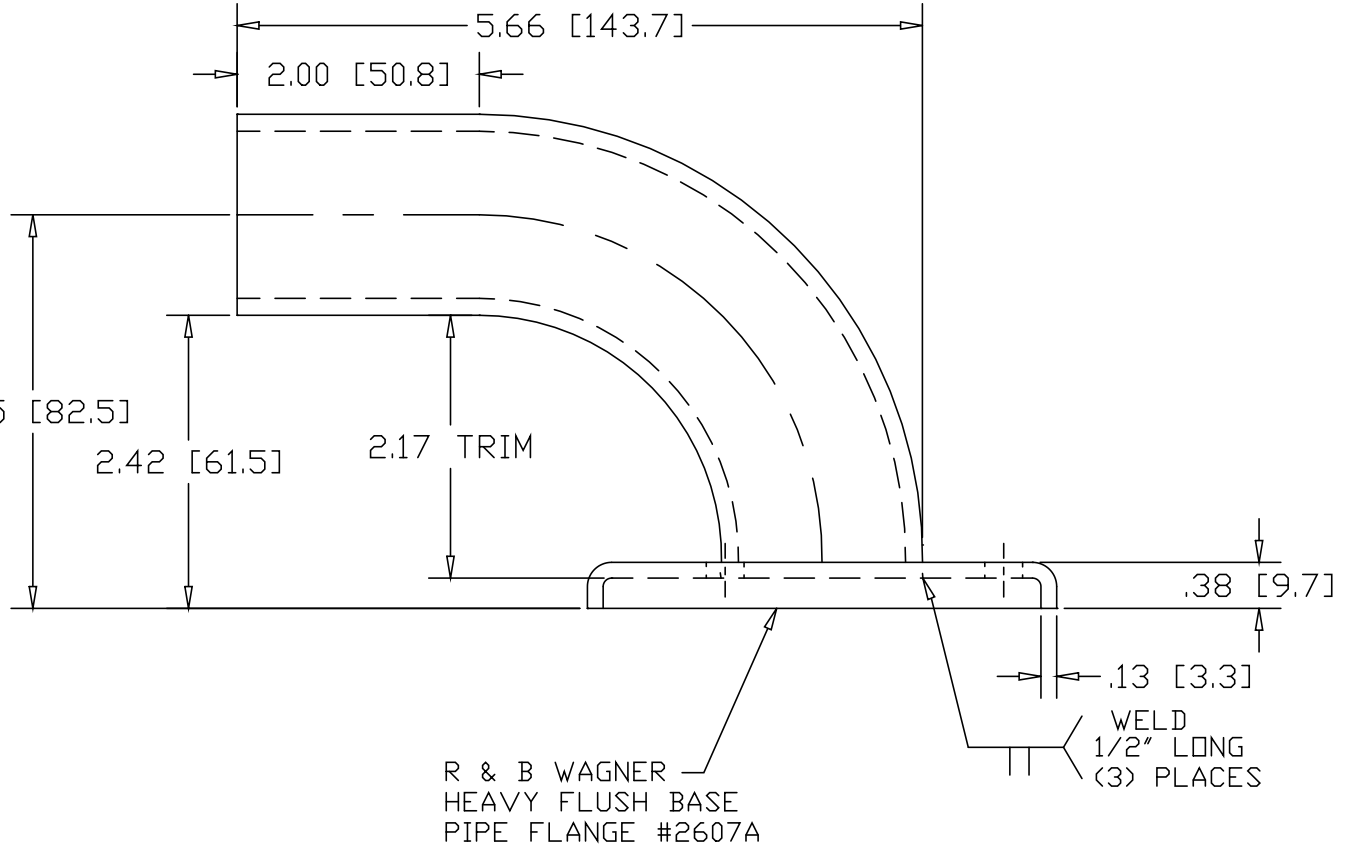
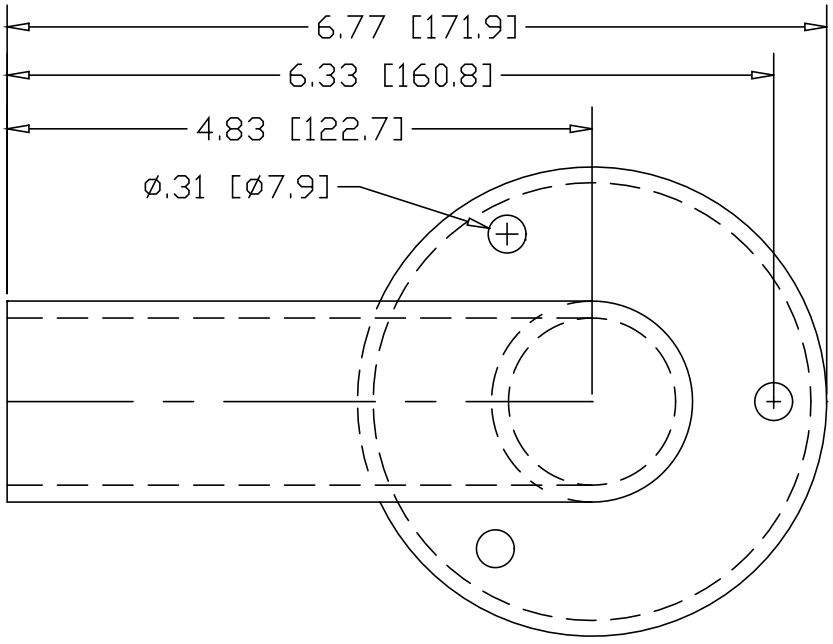


REV
SH
1162-3
DWG NO

REVISIONS			
REV	DESCRIPTION	DATE	APPROVED



R & B WAGNER
HEAVY FLUSH BASE
PIPE FLANGE #2607A

INCHES [MILLIMETERS]

PART NAME 1-1/4" PIPE SIZE X 3.25"CL WALL RETURN W/3 HOLES			
MATERIAL STAINLESS STEEL ASTM-A312			
DATE 1/10/07		THE WAGNER COMPANIES R & B WAGNER, INC. AND J. G. BRAUN CO.	
DRAWN BY RDC			
FINISH #4 SATIN			
SIZE A	WEIGHT	PART NUMBER 1162-3	REV