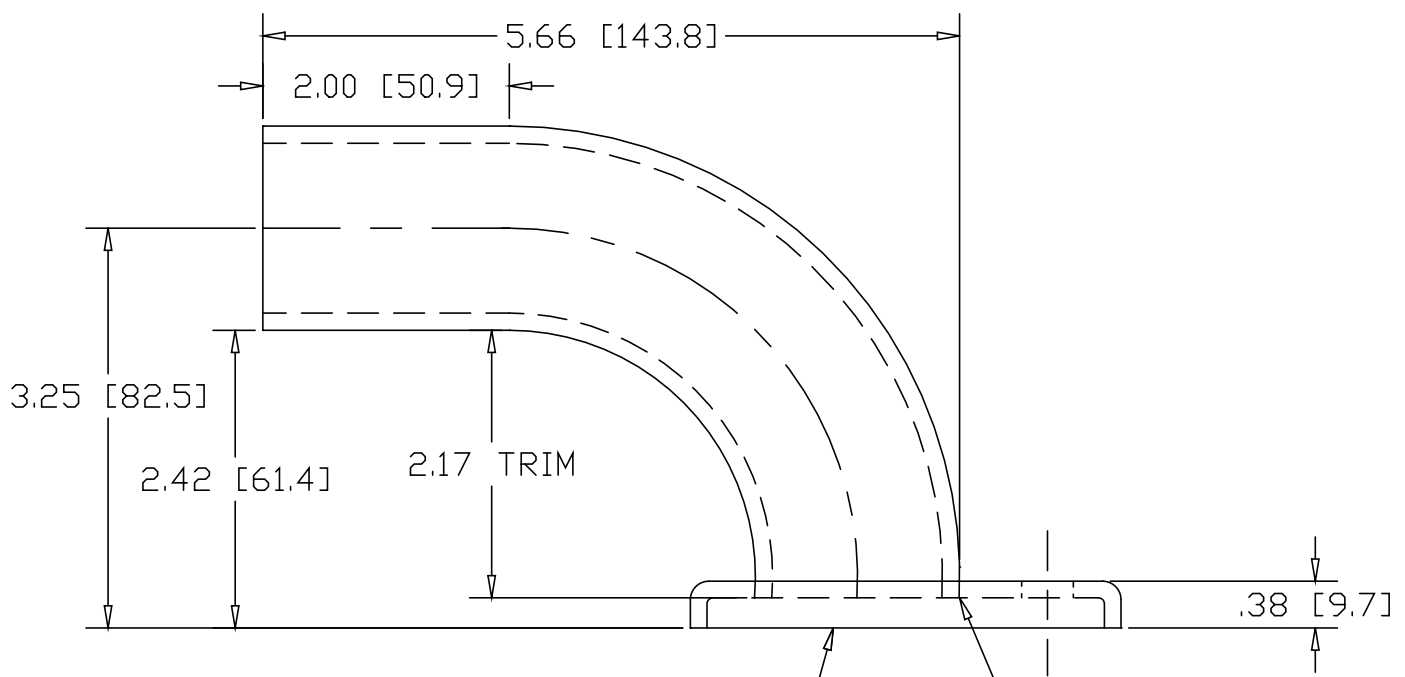
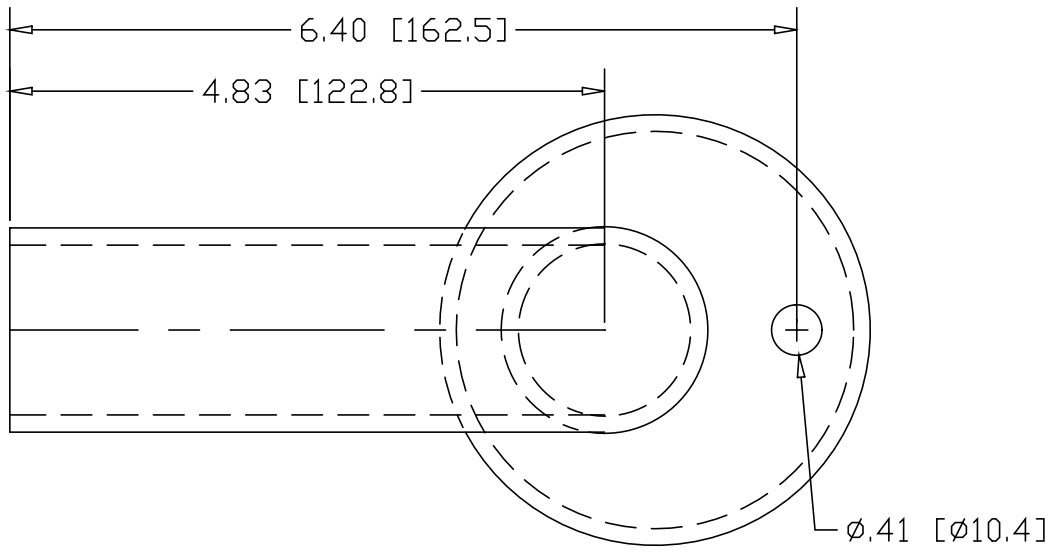


REV  
SH  
1161-1  
DWG NO

REVISIONS			
REV	DESCRIPTION	DATE	APPROVED



HEAVY FLUSH BASE  
FLANGE #2566R

WELD ALL  
AROUND

INCHES [MILLIMETERS]

PART NAME		1-1/4" PIPE SIZE X 3.25"CL WALL RETURN W/1 HOLE		
MATERIAL		6063 ALUMINUM		
DATE	1/10/07		<b>THE WAGNER COMPANIES</b> R & B WAGNER, INC. AND J. G. BRAUN CO.	
DRAWN BY	RDC			
FINISH	MILL			
SIZE	A	WEIGHT	PART NUMBER	1161-1
				REV