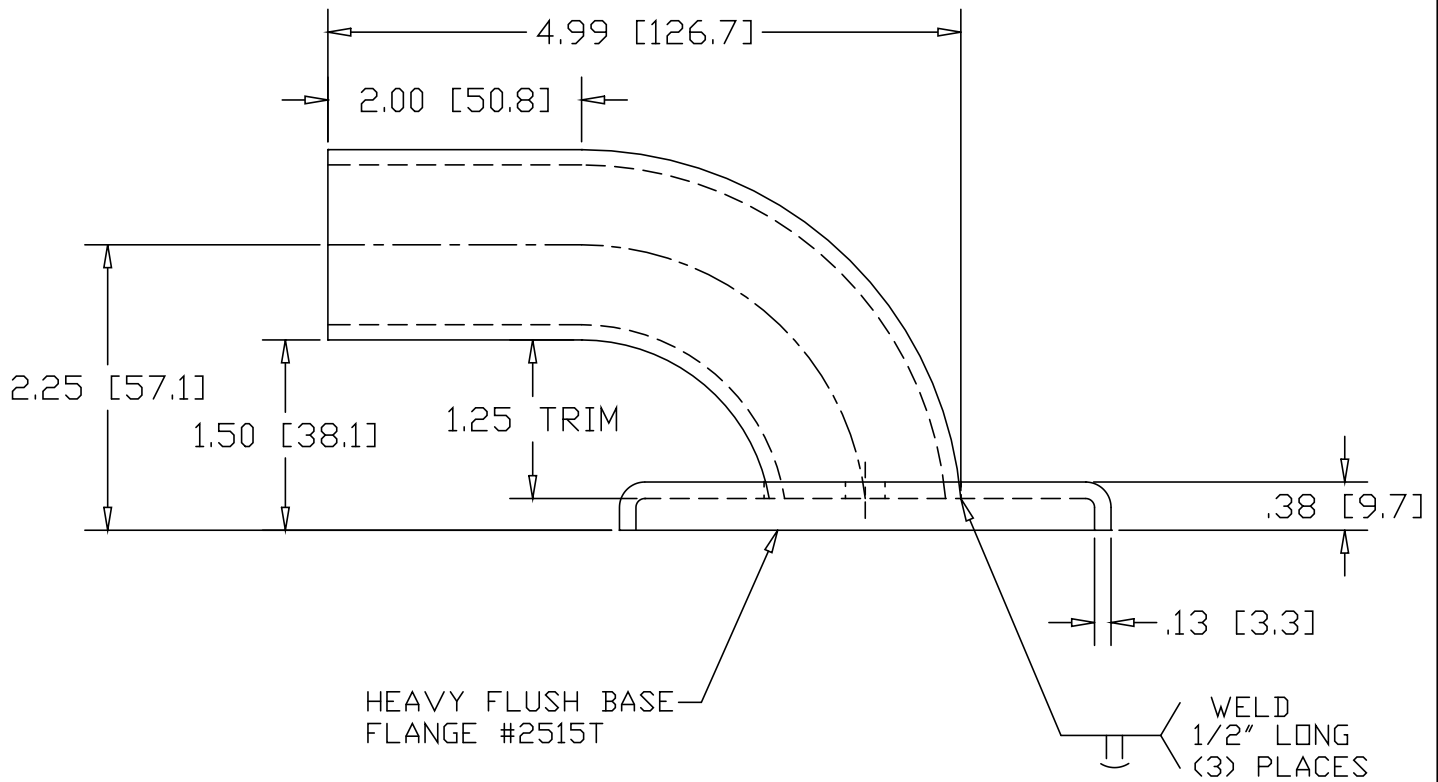
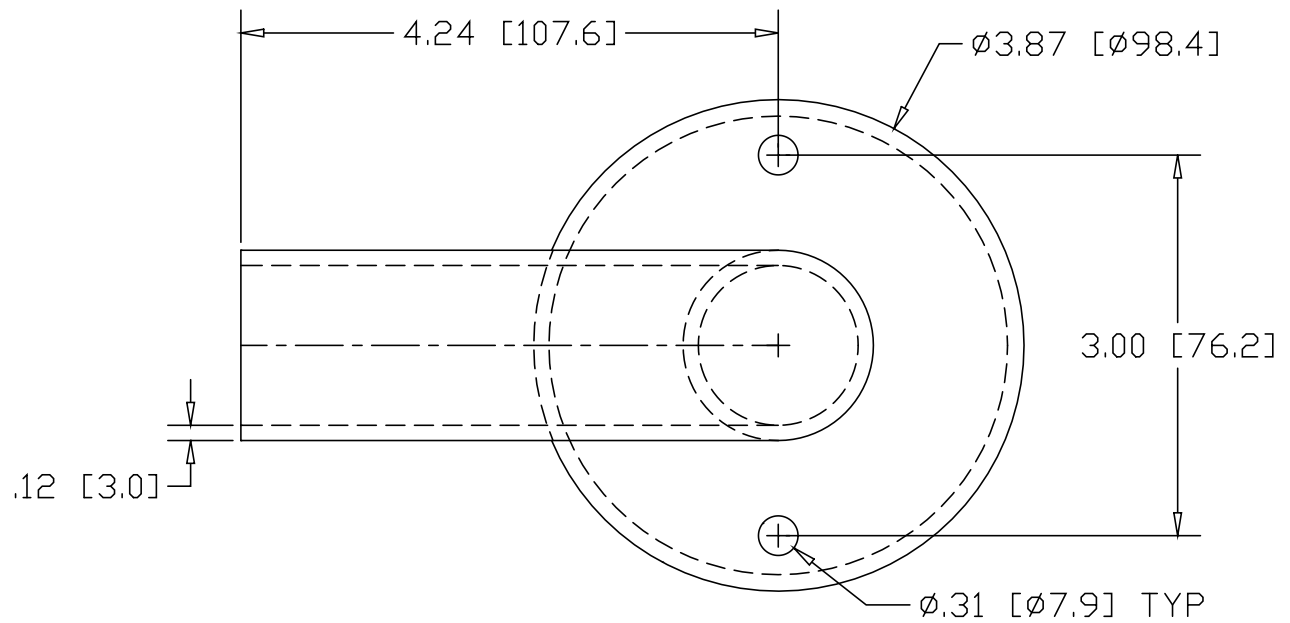


REV  
SH  
1152-2  
DWG NO


REVISIONS			
REV	DESCRIPTION	DATE	APPROVED



HEAVY FLUSH BASE  
FLANGE #2515T

WELD  
1/2" LONG  
(3) PLACES

INCHES [MILLIMETERS]

PART NAME 1.50" TUBE SIZE X 2.25CL WALL RETURN W/2 HOLES			
MATERIAL 304 STAINLESS STEEL ASTM A312			
DATE 12/30/02		THE WAGNER COMPANIES R & B WAGNER, INC. AND J. G. BRAUN CO.	
DRAWN BY RJF			
FINISH #4 SATIN	SIZE A	WEIGHT 1.54 LBS.	PART NUMBER 1152-2
			REV