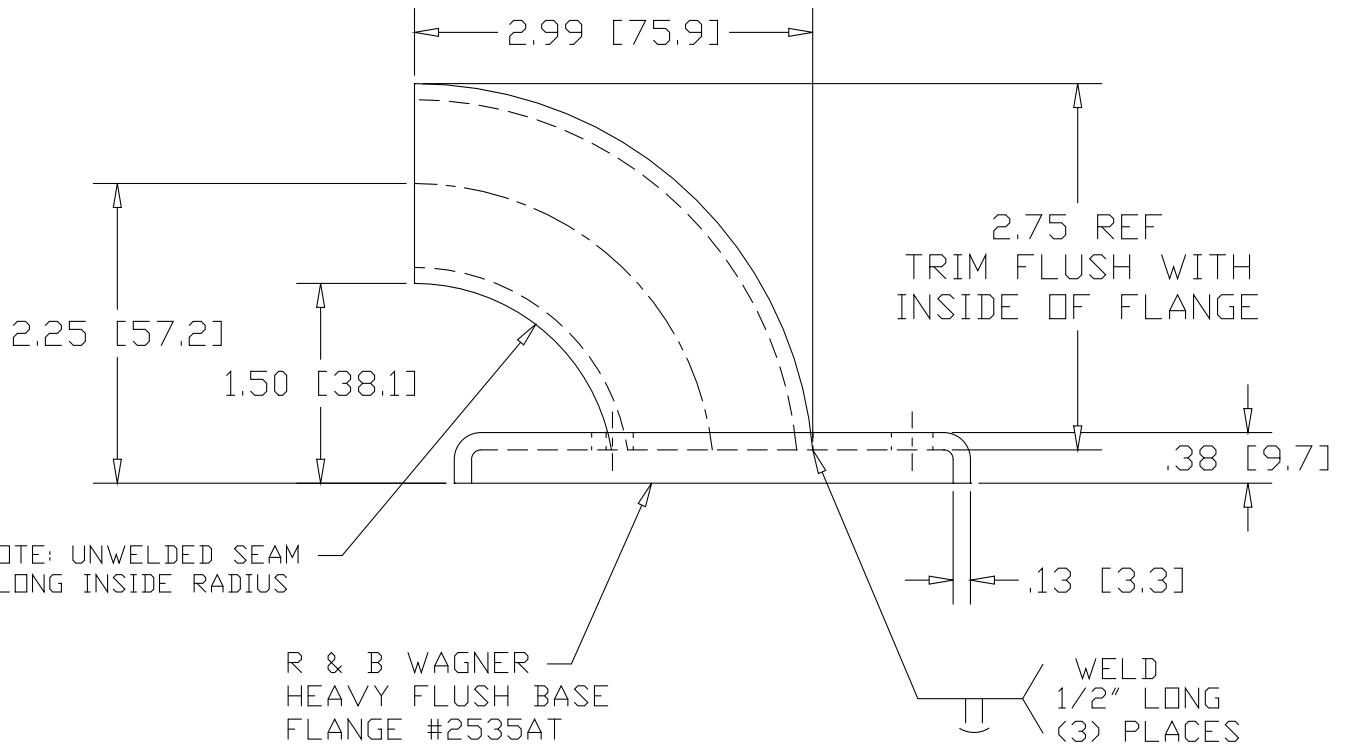
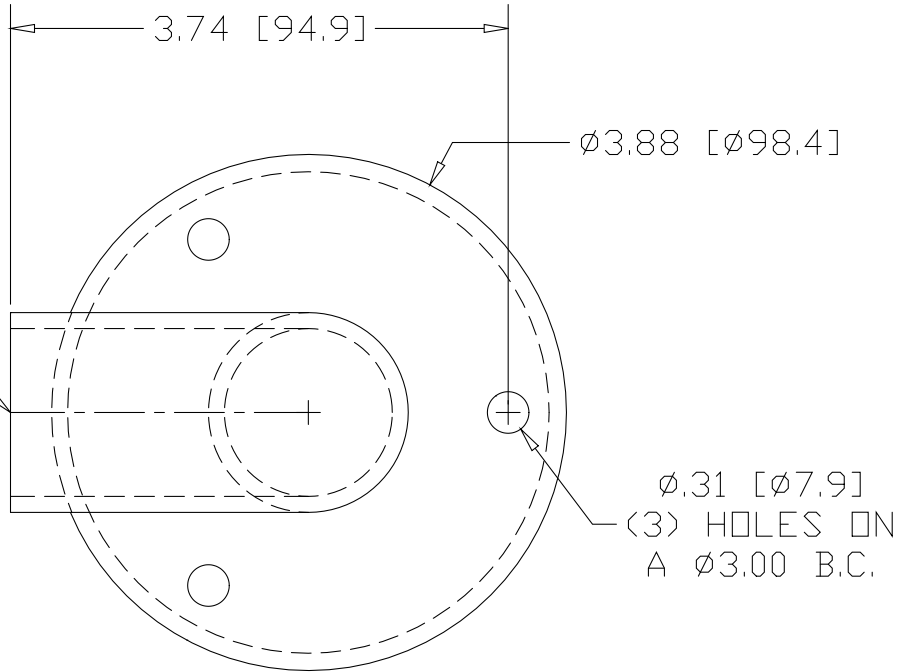


REV
SH
1150-3
DWG NO

REVISIONS			
REV	DESCRIPTION	DATE	APPROVED

NOTE: THIS END FACED AFTER FABRICATION



INCHES [MILLIMETERS]

PART NAME 1.50" TUBE SIZE X 2.25CL WALL RETURN W/3 HOLES			
MATERIAL ASTM A569 - STEEL			
DATE 12/30/02		THE WAGNER COMPANIES R & B WAGNER, INC. AND J. G. BRAUN CO.	
DRAWN BY RJF			
FINISH MILL			
SIZE A	WEIGHT 1.0 LBS.	PART NUMBER 1150-3	REV