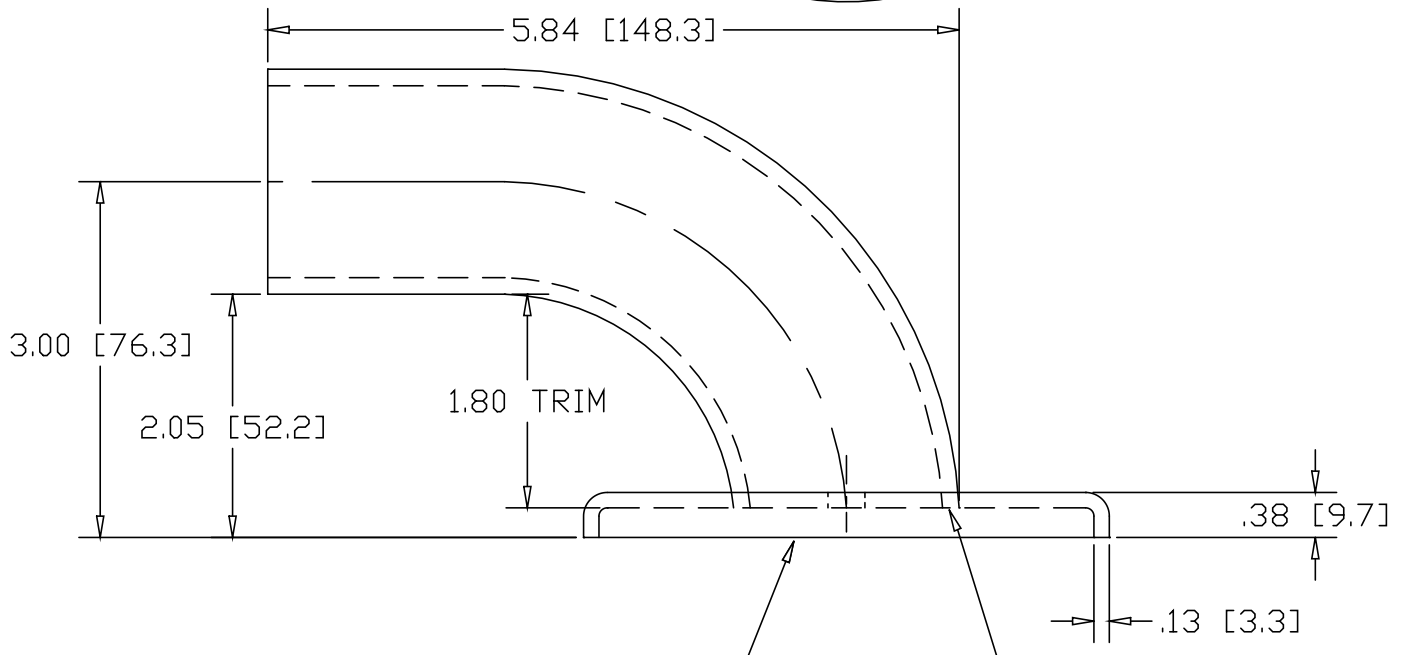
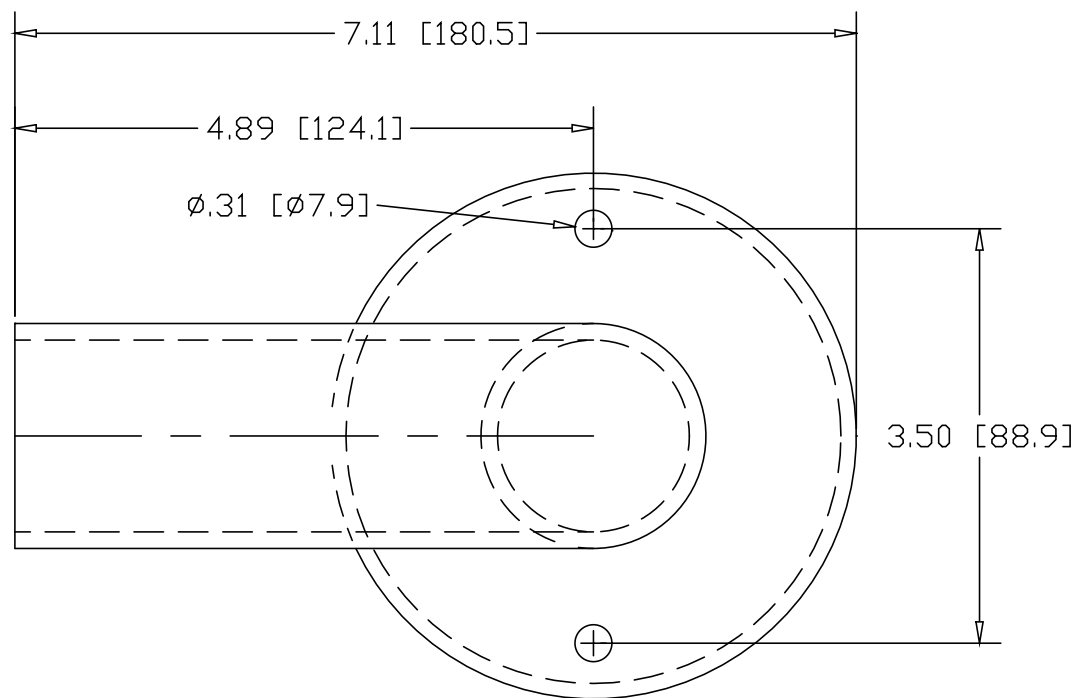


REV  
SH  
1142-2  
DWG NO

| REVISIONS |             |      |          |
|-----------|-------------|------|----------|
| REV       | DESCRIPTION | DATE | APPROVED |



HEAVY FLUSH BASE PIPE FLANGE #2575  
WELD ALL-AROUND

INCHES [MILLIMETERS]

|           |          |   |  |
|-----------|----------|---|--|
| PART NAME |          | 1-1/2" PIPE SIZE X 3.00" CL WALL RETURN W/2 HOLES |  |
| MATERIAL  |          | 6063 ALUMINUM                                     |  |
| DATE      | 10/03/02 |   | THE WAGNER COMPANIES<br>R & B WAGNER, INC. AND J. G. BRAUN CO. |
| DRAWN BY  | JAH      |   |  |
| FINISH    | MILL     |   |  |
| SIZE      | A        | WEIGHT  | PART NUMBER  |
|           |          |   | 1142-2   |
|           |          |   | REV  |