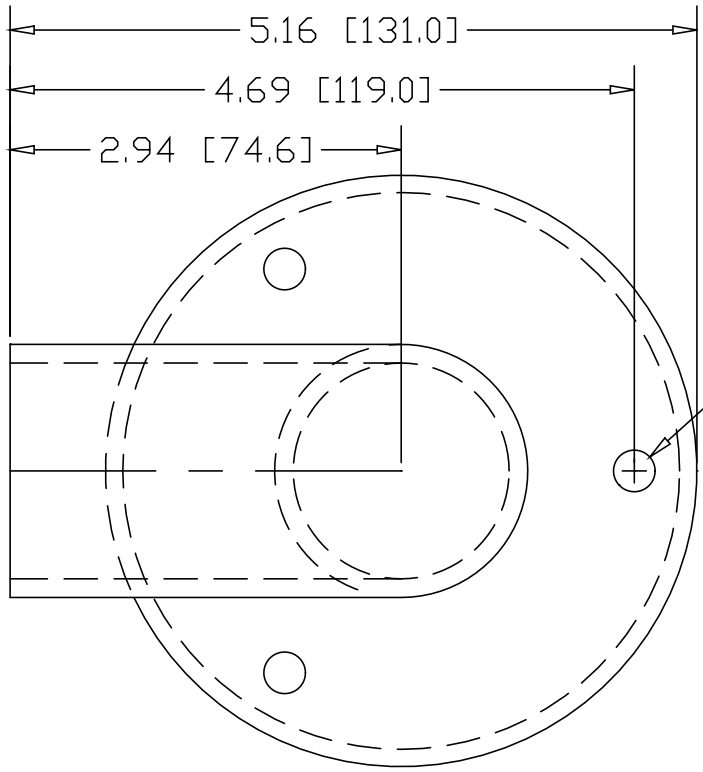
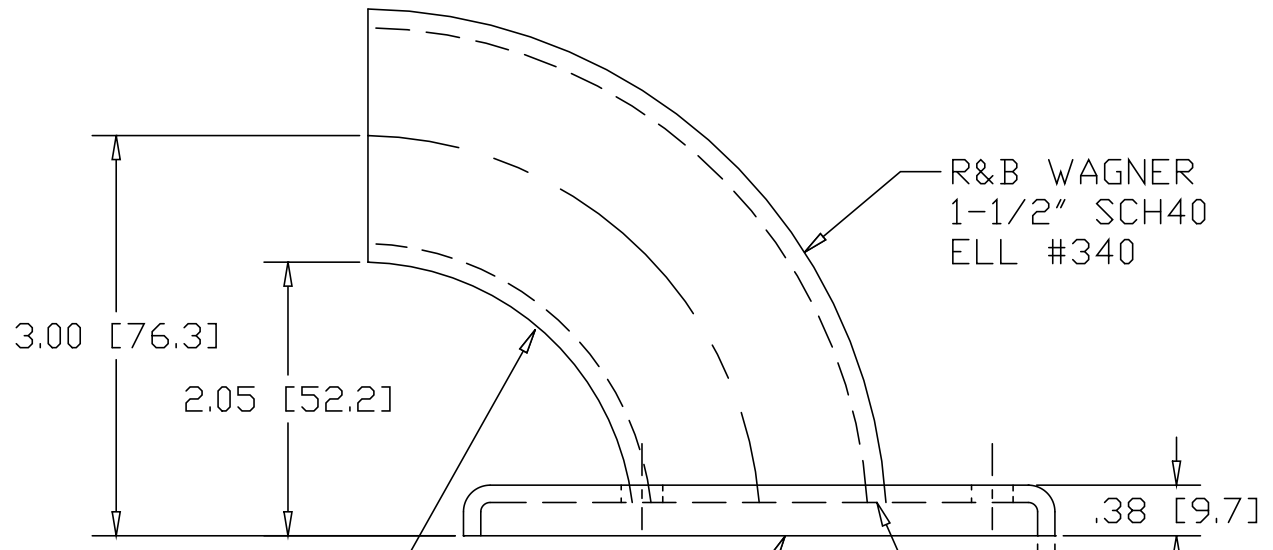


REV
SH
1133-3
DWG NO

REVISIONS			
REV	DESCRIPTION	DATE	APPROVED



Ø0.31 TYP
(3) HOLES ON
A Ø3.50 B.C.



NOTE: UNWELDED SEAM
ALONG INSIDE RADII

R & B WAGNER
HEAVY FLUSH BASE
PIPE FLANGE #2535A

WELD
1/2" LONG
(3) PLACES
INCHES [MILLIMETERS]

PART NAME 1-1/2" PIPE SIZE X 3.00" WALL RETURN W/3 HOLES			
MATERIAL STEEL - ASTM A569			
DATE 10/01/02		THE WAGNER COMPANIES R & B WAGNER, INC. AND J. G. BRAUN CO.	
DRAWN BY JAH			
FINISH MILL			
SIZE A	WEIGHT	PART NUMBER 1133-3	REV