

REV

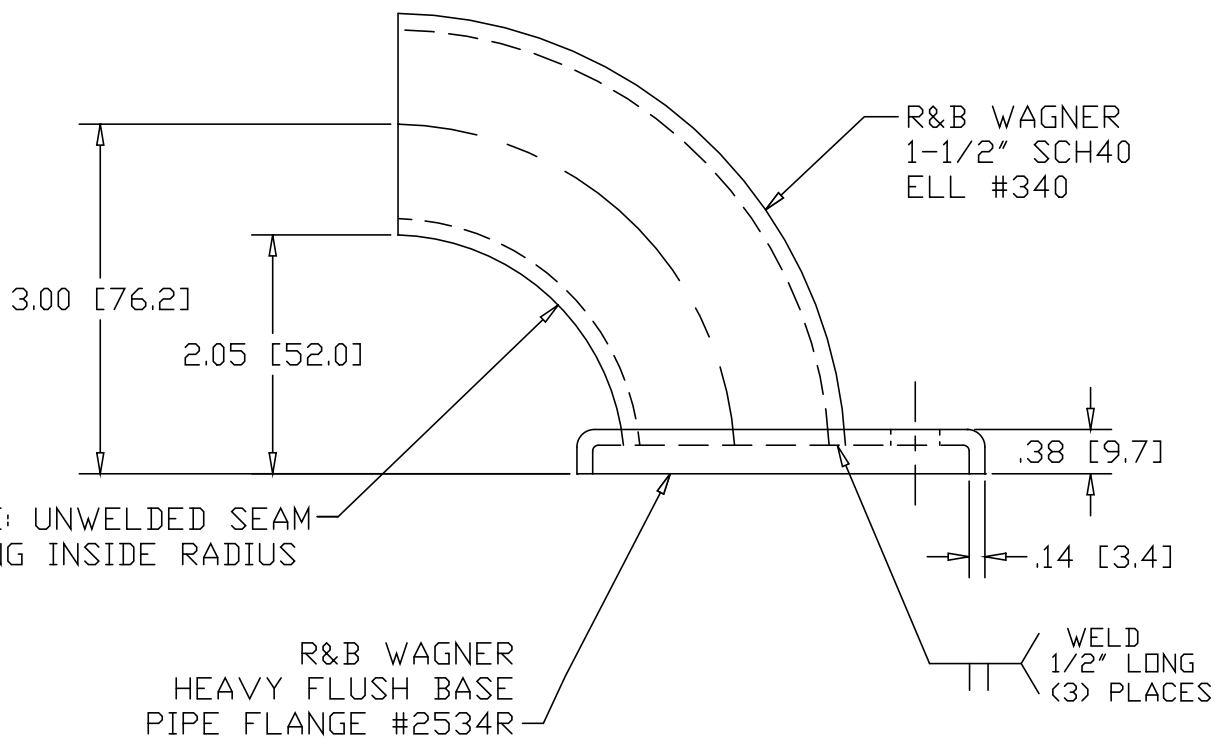
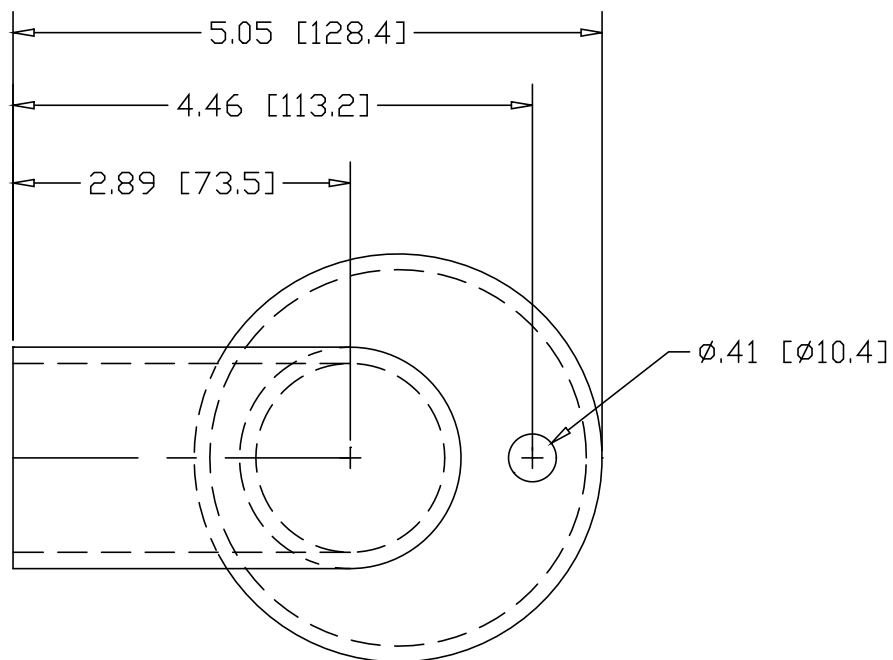
SH

DWG NO 1133-1


REV

REVISIONS

REV	DESCRIPTION	DATE	APPROVED
-----	-------------	------	----------



INCHES [MILLIMETERS]

PART NAME		1-1/2" PIPE SIZE X 3.00CL WALL RETURN W/1 HOLE	
MATERIAL		ASTM A569 - STEEL	
DATE	8/07/02	 THE WAGNER COMPANIES R & B WAGNER, INC. AND J. G. BRAUN CO.	REV
DRAWN BY	JAH		
FINISH	MILL		
SIZE	A	WEIGHT	PART NUMBER
			1133-1