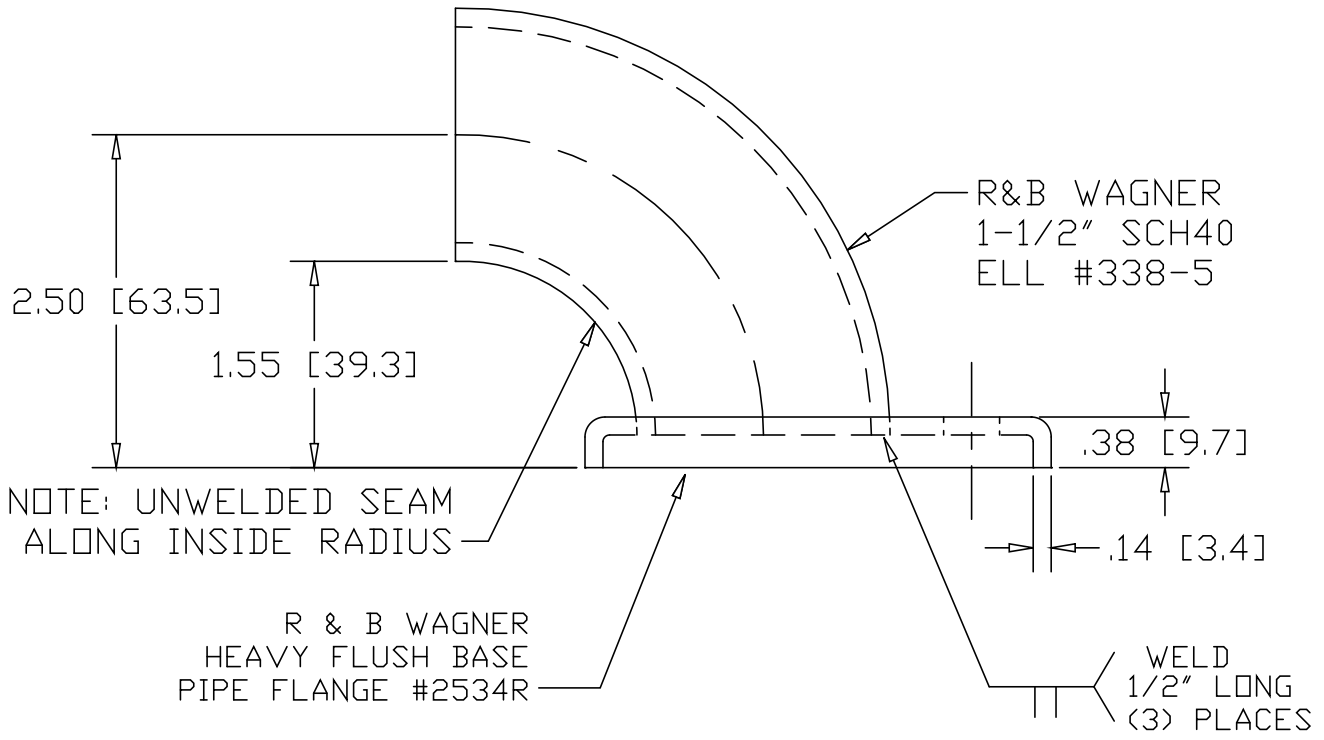
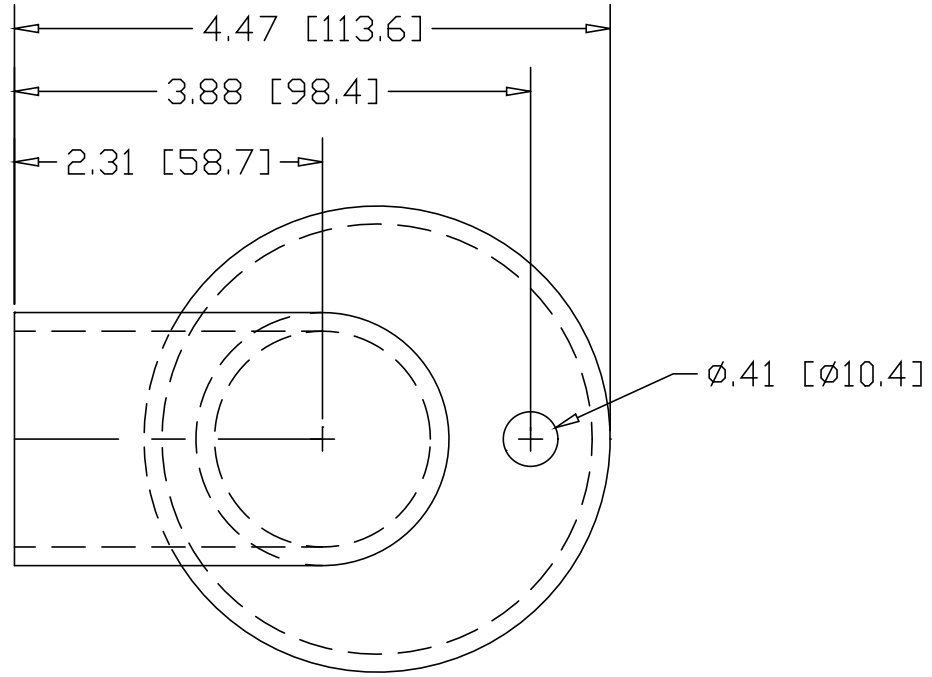


REV
SH
1130-1
DWG NO

REVISIONS			
REV	DESCRIPTION	DATE	APPROVED



INCHES [MILLIMETERS]

PART NAME		1-1/2" PIPE SIZE X 2.50CL WALL RETURN W/1 HOLE					
MATERIAL		ASTM A569 - STEEL					
DATE	6/4/93		THE WAGNER COMPANIES R & B WAGNER, INC. AND J. G. BRAUN CO.				
DRAWN BY	RJF						
FINISH	MILL						
SIZE	A	WEIGHT	1.06 LBS.	PART NUMBER	1130-1	REV	