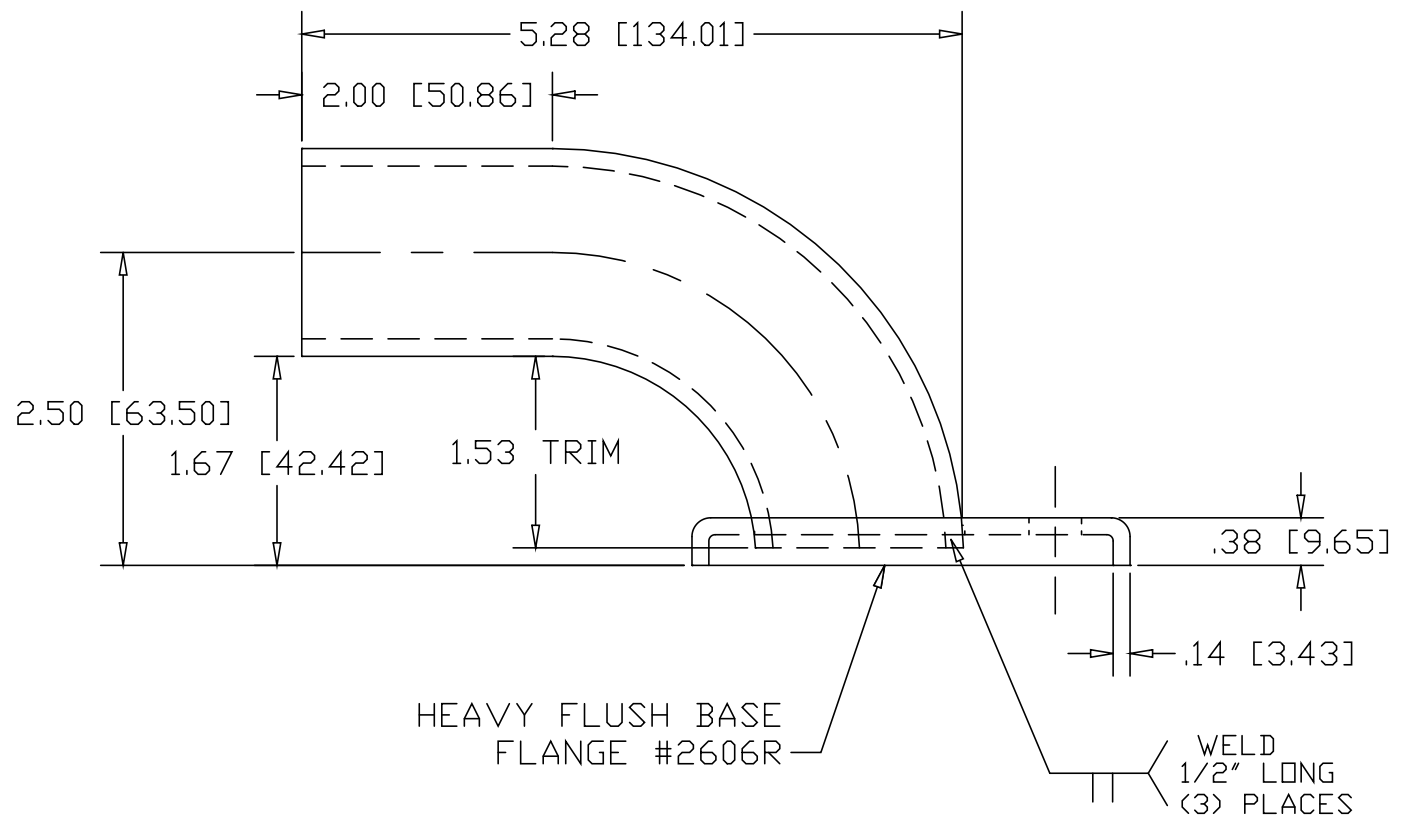
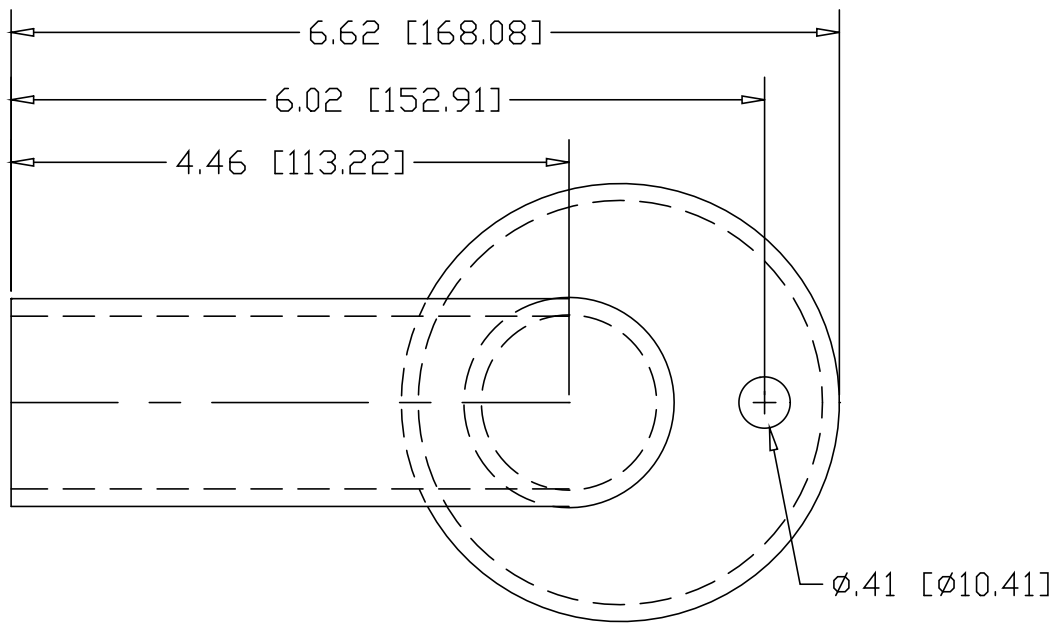



REV
SH
1115-1
DWG NO

REVISIONS			
REV	DESCRIPTION	DATE	APPROVED



INCHES [MILLIMETERS]

PART NAME 1-1/4" PIPE SIZE X 2.50CL WALL RETURN W/1 HOLE			
MATERIAL STAINLESS STEEL ASTM-A312			
DATE 12/27/02	 THE WAGNER COMPANIES R & B WAGNER, INC. AND J. G. BRAUN CO.		
DRAWN BY JAH			
FINISH #4 SATIN	SIZE A	WEIGHT	PART NUMBER 1115-1
			REV