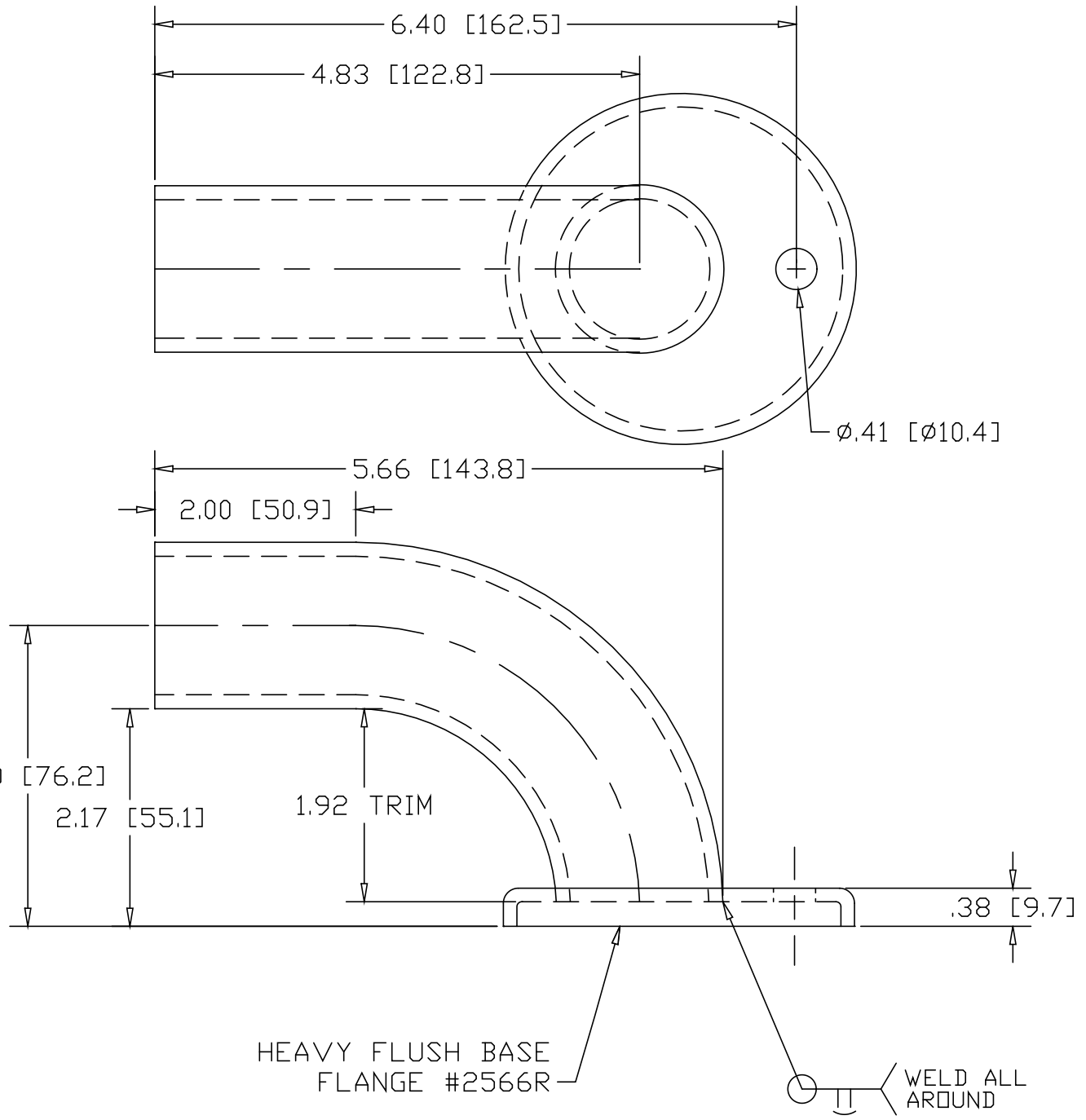



REV
SH
1112-1
DWG NO

REVISIONS			
REV	DESCRIPTION	DATE	APPROVED



INCHES [MILLIMETERS]

PART NAME 1-1/4" PIPE SIZE X 3.00"CL WALL RETURN W/1 HOLE			
MATERIAL 6063 ALUMINUM			
DATE 12/27/02		THE WAGNER COMPANIES	
DRAWN BY JAH		R & B WAGNER, INC. AND J. G. BRAUN CO.	
FINISH MILL	SIZE A	WEIGHT	PART NUMBER 1112-1
			REV