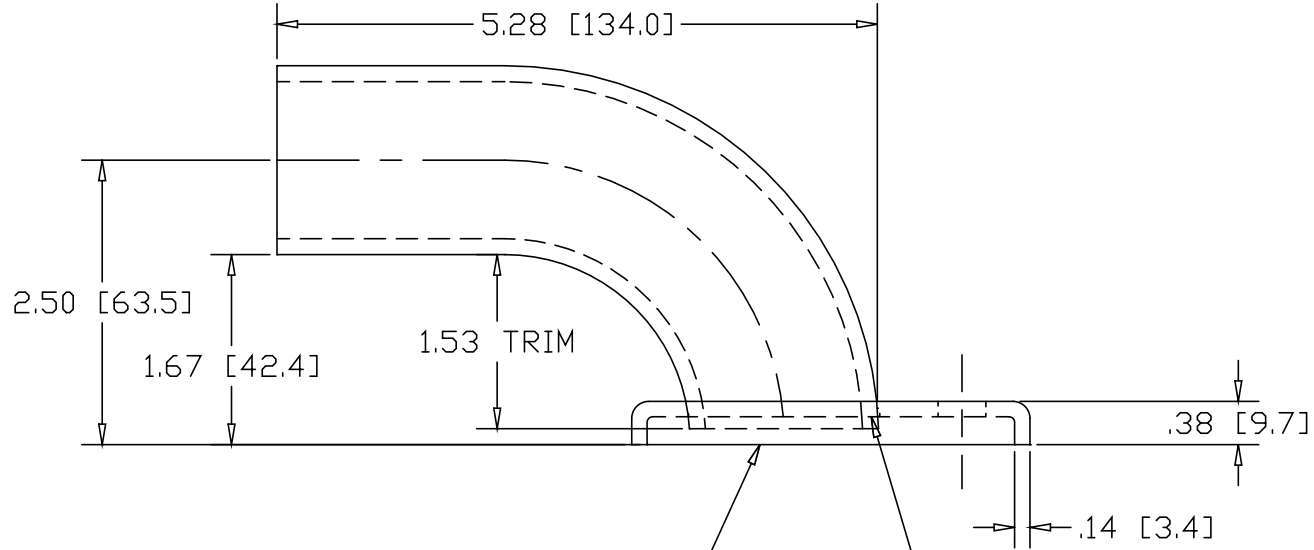
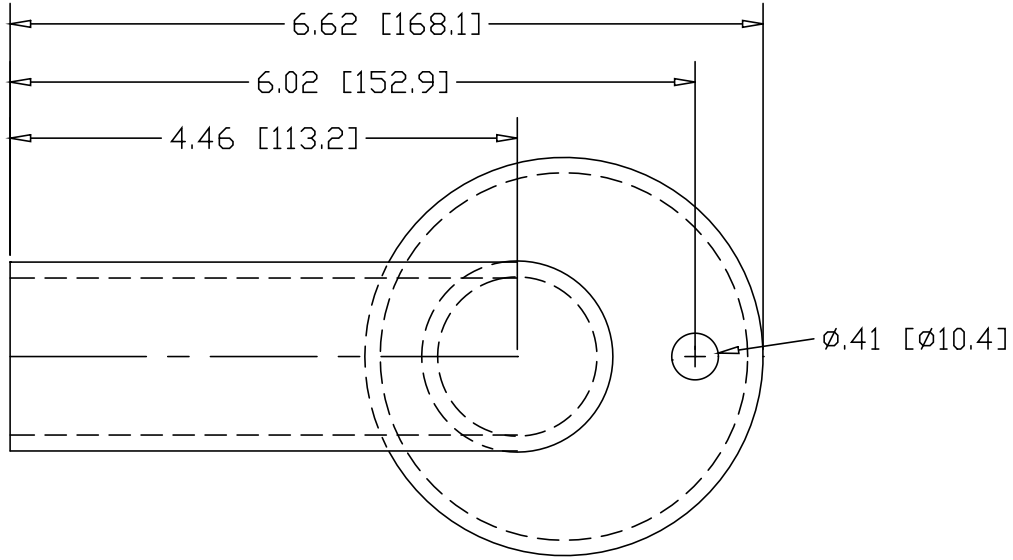


REV  
SH  
1109-1  
DWG NO


REVISIONS			
REV	DESCRIPTION	DATE	APPROVED



HEAVY FLUSH BASE  
OFFSET FLANGE #2566R

WELD ALL AROUND

INCHES [MILLIMETERS]

PART NAME		1-1/4" PIPE SIZE x 2.50"CL WALL RETURN W/1 HOLE	
MATERIAL		6063 ALUMINUM	
DATE	10/01/02	 <b>THE WAGNER COMPANIES</b> R & B WAGNER, INC. AND J. G. BRAUN CO.	PART NUMBER
DRAWN BY	JAH		
FINISH	MILL		
SIZE	A	WEIGHT	1109-1
			REV