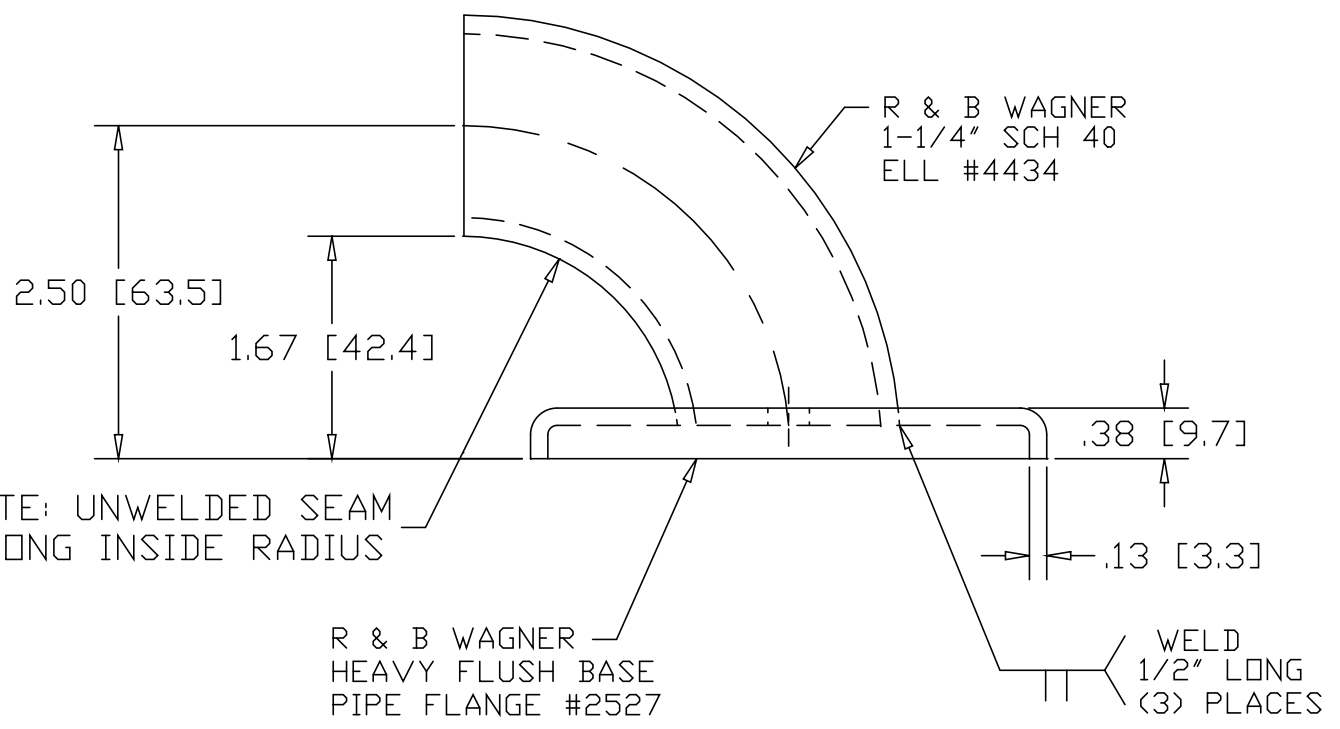
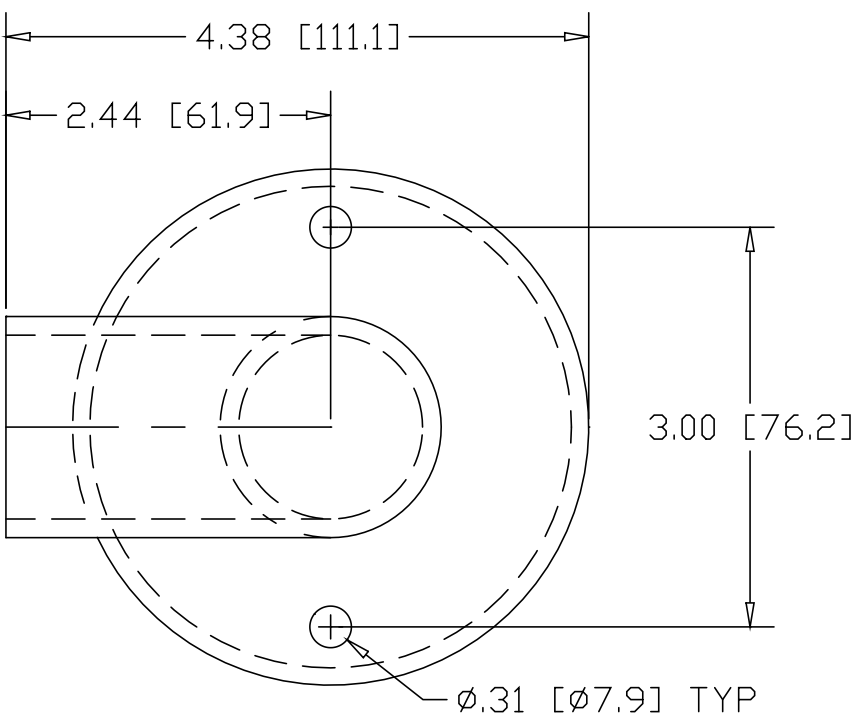



REV
SH
1100-2
DWG NO

REVISIONS			
REV	DESCRIPTION	DATE	APPROVED



INCHES [MILLIMETERS]

PART NAME 1-1/4" PIPE SIZE X 2.50CL WALL RETURN W/2 HOLES			
MATERIAL STEEL - ASTM A569			
DATE	6/3/93	 THE WAGNER COMPANIES R & B WAGNER, INC. AND J. G. BRAUN CO.	REV
DRAWN BY	RJF		
FINISH	MILL		
SIZE	A	WEIGHT	1.04 LBS.
PART NUMBER		1100-2	