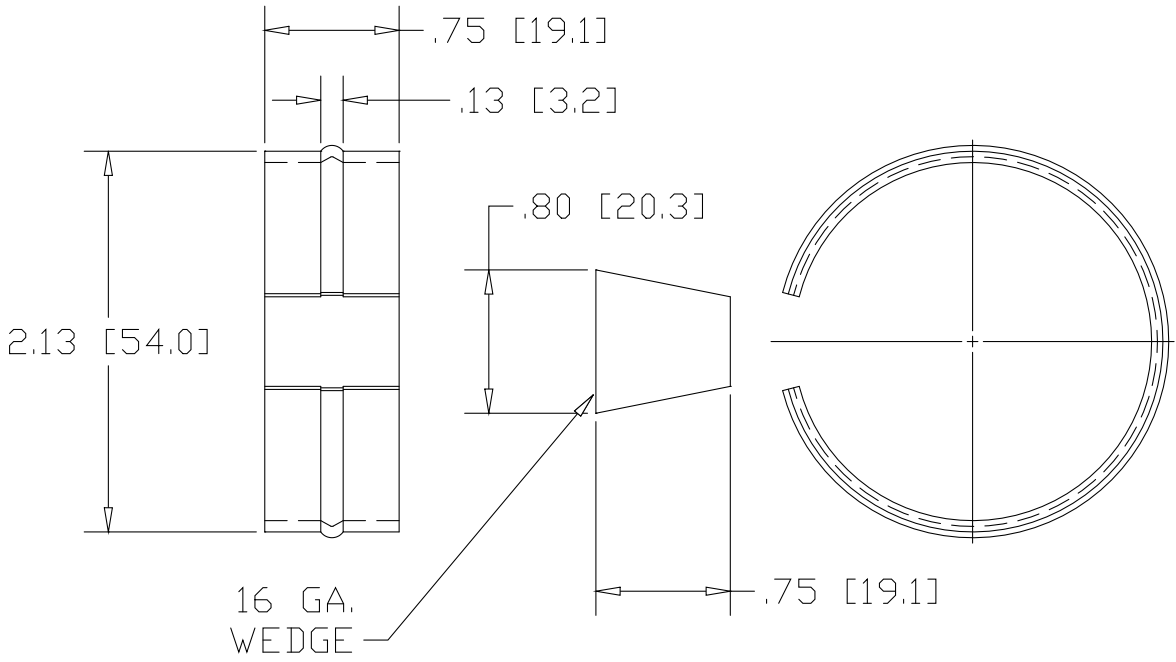
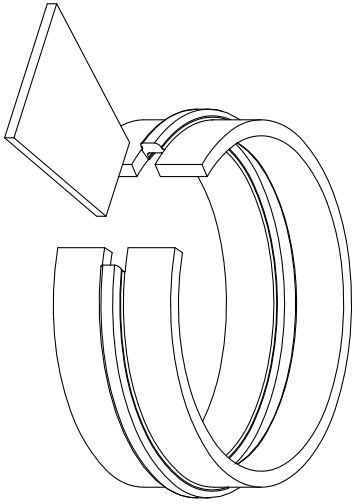



REV
SH
1043-L
DWG NO

REVISIONS			
REV	DESCRIPTION	DATE	APPROVED



INCHES [MILLIMETERS]

PART NAME		2" SCH10 PIPE WEDGE-LOCK WELDING CONNECTOR			
MATERIAL		16 GA. (.063) HRP&D STEEL ASTM A569			
DATE	10/10/01	 R & B WAGNER, INC.			
DRAWN BY	JAH				
FINISH	MILL	SIZE	WEIGHT	PART NUMBER	REV
		A	.08 LBS	1043-L	