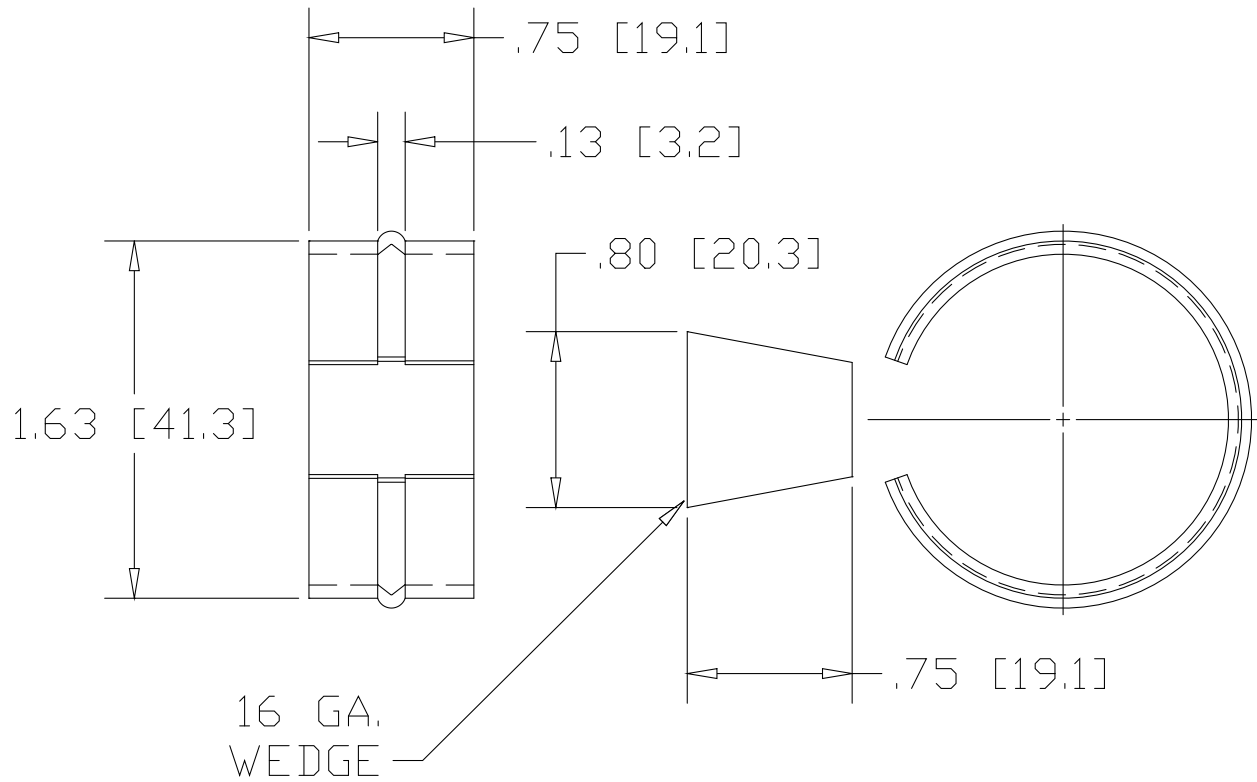
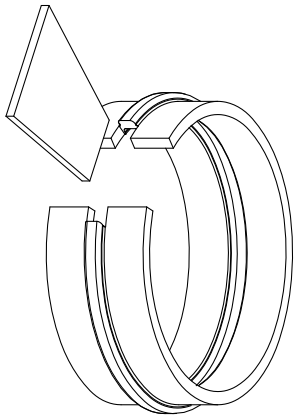


REV  
SH  
1033T  
DWG NO


REVISIONS			
REV	DESCRIPTION	DATE	APPROVED



16 GA.  
WEDGE

INCHES [MILLIMETERS]

ALTERNATE MATERIAL	PART NUMBER
.063 (3003) ALUMINUM ASTM B209	1034T
.0595 (304) STAINLESS STEEL ASTM A240	1035T

PART NAME 2.00" OD .120W TUBE WEDGE-LOCK WELDING CONNECTOR				
MATERIAL 16 GA. (.063) HRP&D STEEL ASTM A569				
DATE 10/10/01	 <b>THE WAGNER COMPANIES</b> R & B WAGNER, INC. AND J. G. BRAUN CO.			
DRAWN BY JAH				
FINISH MILL	SIZE A	WEIGHT .05 LBS	PART NUMBER 1033T	REV