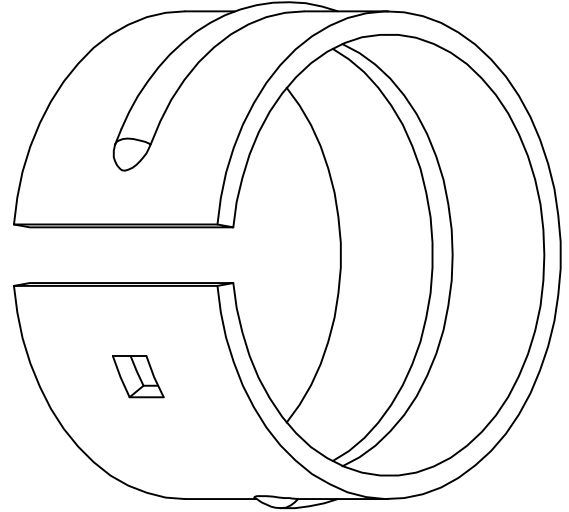


2

1

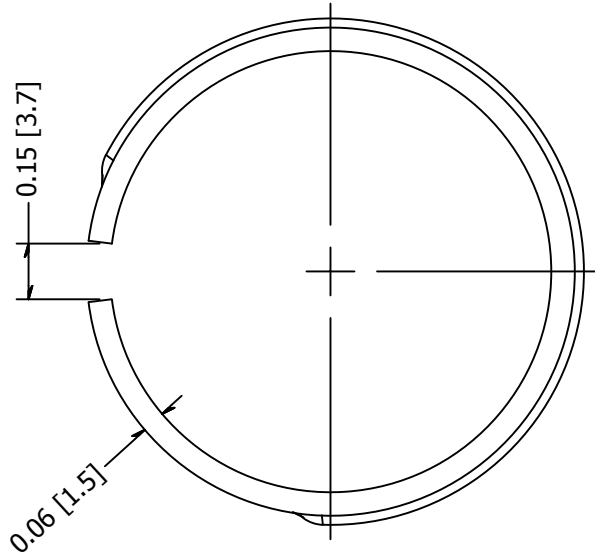
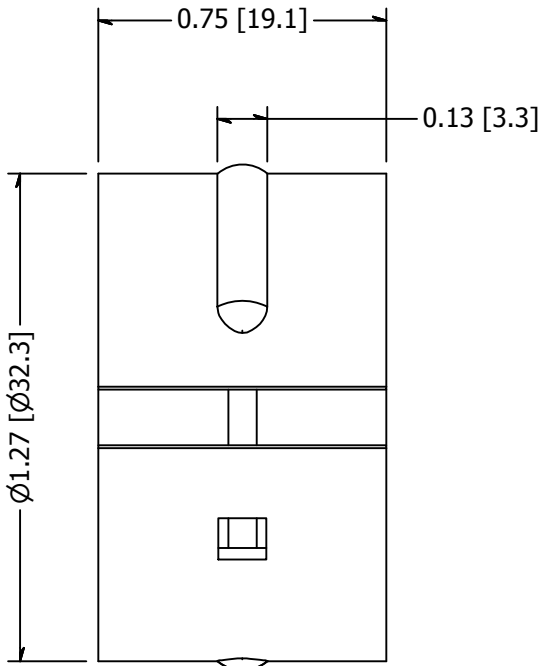
B

B



A

A



<b>TOLERANCE</b>  UNLESS OTHERWISE NOTED, TOLERANCES TO CONFORM TO ES.03.011	CUT LENGTH:	FINISH:	DESCRIPTION:	
		MILL	WEDGE-LOCK CONNECTOR SS FOR 1.50 OD x 0.120W Tube, No Wedge	
	DEVELOPED LENGTH:	WEIGHT:	MATERIAL:	MATERIAL DESC:
		0.05 lbmass	C9300	COIL SS .060 x .750 MILL TYPE 304-2B ASTM A240
TOOL NUMBER:		DATE:	REV:	 10600 W Brown Deer Rd Milwaukee, WI 53224 COLLABORATIVE METALWORKS <a href="http://www.wagnercompanies.com/">http://www.wagnercompanies.com/</a>
TL8805, TL8273		6/25/2018	-	
		DRAWN BY:		
		T. Kolbach		
		PART NUMBER:		
		1025T.11		

2

1

1