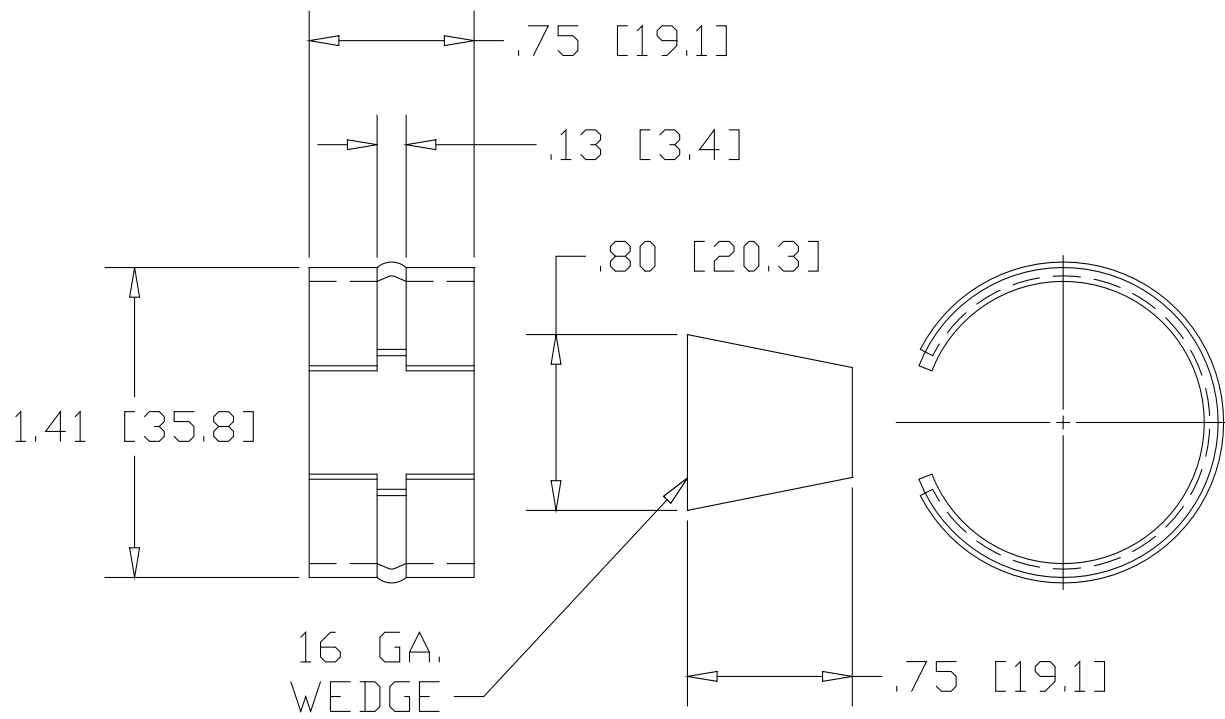
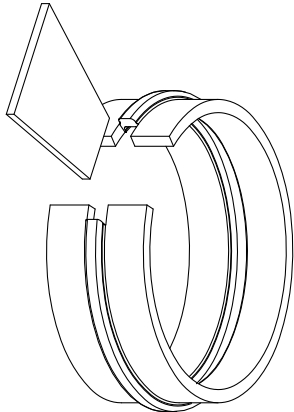



REV
SH
1023-L
DWG NO

REVISIONS			
REV	DESCRIPTION	DATE	APPROVED



INCHES [MILLIMETERS]

PART NAME 1-1/4 SCH10 PIPE WEDGE-LOCK WELDING CONNECTOR			
MATERIAL 16 GA. (.063) HRP&D STEEL ASTM A569			
DATE 10/10/01		R & B WAGNER, INC.	
DRAWN BY JAH			
FINISH MILL	SIZE A	WEIGHT .05 LBS	PART NUMBER 1023-L
			REV